

1. Product main performance/产品主要性能指标:

Operating Temperature/工作温度:  $-55^{\circ}\text{C} \sim 150^{\circ}\text{C}$

Humidity(max)/最大潮湿:  $\leq 95\%$  [at  $60^{\circ}\text{C} / 140^{\circ}\text{F}$ ]

Shielding /屏蔽性能: 75dB(10MHz) 40dB(1GHz)

Salt Spray Corrosion/盐雾: 96hr

Mechanical data/机械特性:

Vibration/振动: 15g[10Hz~2000Hz]

Shock Resistance/冲击: 100g[6ms]

Endurance (Shell)/机械寿命: 5000+

Cable/配接电缆:  $\phi 3.4\text{mm} - \phi 4.3\text{mm}$

2. 电气性能

Insert Configuration/针芯配置: 2BP. 307 7Low Voltage

Pin Size/接触件直径:  $\phi 1.3\text{mm}$

Contact resistance接触电阻:  $\leq 5\text{m}\Omega$

Insulation resistance/绝缘电阻: 5000M $\Omega$  (测试电压500V(DC))

Withstand voltage/耐电压: 1750V(AC)

Rated working current额定工作电流: 11.0A

Other Specification/其它规格:

Contact PIN/接触体: Gold plated Tin bronze/锡青铜镀金

Housing Material/外壳材质: PEEK

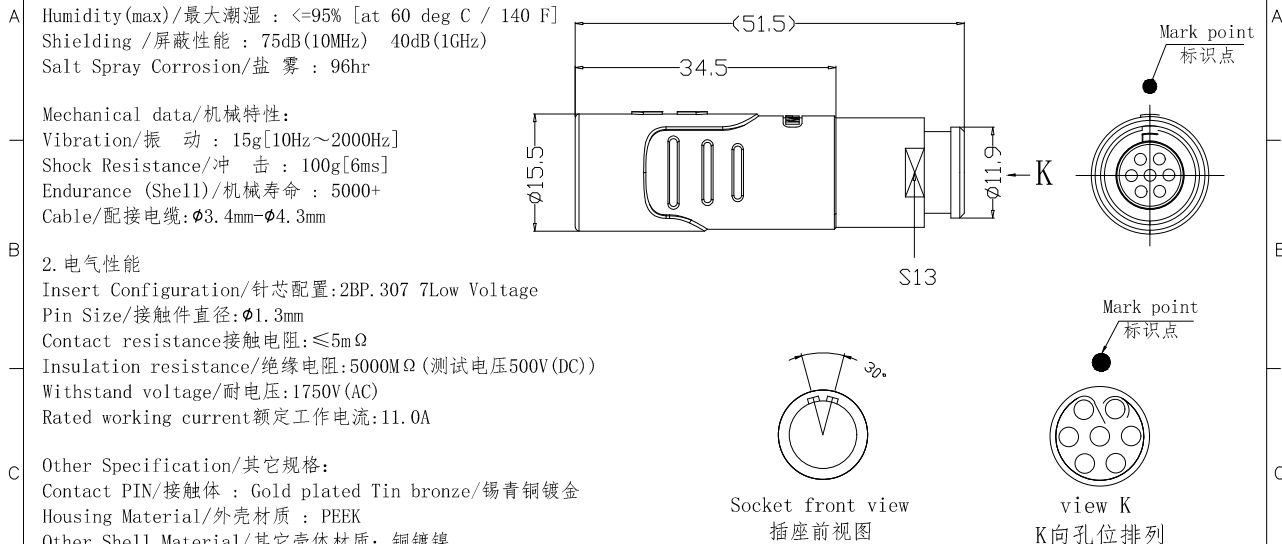
Other Shell Material/其它壳体材质: 铜镀镍

Insulator material/绝缘体材料: PEEK

IP Rating/防护等级: IP50

\*ALL MATERIALS ARE RoHS COMPLIANT/所有材料均符合RoHS要求.

REV/版本	DESCRIPTION/变更内容	DATE/日期	DRAWN BY/绘图



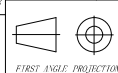
Socket front view  
插座前视图

view K  
K向孔位排列

DRAWN BY: 绘图: P003	2024. 05. 28
CHECKED BY: 审核: Z01	2024. 05. 28
APPROVED BY: 核准: P005	2024. 05. 28
GENERAL TOLERANCE (UNLESS SPECIFIED)	
$\leq 10 \pm 0.1$	
$< 10^{\circ} \sim \leq 20^{\circ} \pm 0.15$	
$< 20^{\circ} \sim \leq 50^{\circ} \pm 0.3$	
Ang Fe $\pm 1^{\circ}$	



美易连电子科技(深圳)有限公司  
Meiyilian electronic technology (shenzhen) Co., Ltd.



FIRST ANGLE PROJECTION

单位 UNT: mm	名称 PART NAME	DHA-2BP浮动式插座(带护套式尾帽) DHA-2BP Floating socket (with jacketed tail cap)
比例 SCALE: 1: 1	型号 PART NAME	DHA. 2BP. 307. KWKL45Z
SIZE: A4		
REV/版本 A1	SHEET: 1 OF 1	