

1. Product main performance/产品主要性能指标:

Operating Temperature/工作温度: -55°C~150°C
 Humidity(max)/最大潮湿: <=95% [at 60 deg C / 140 F]
 Shielding /屏蔽性能: 75dB(10MHz) 40dB(1GHz)
 Salt Spray Corrosion/盐雾: 96hr

Mechanical data/机械特性:

Vibration/振动: 15g[10Hz~2000Hz]
 Shock Resistance/冲击: 100g[6ms]
 Endurance (Shell)/机械寿命: 5000+

2. 电气性能

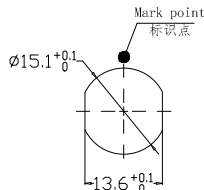
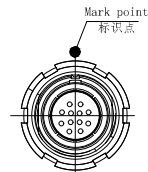
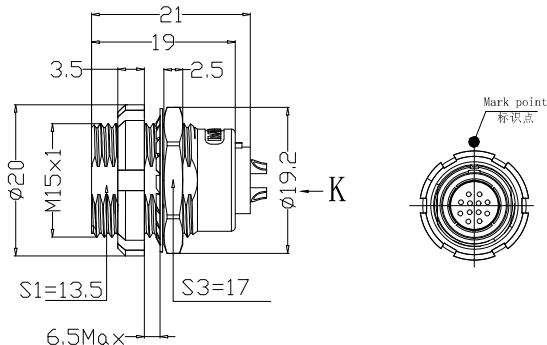
Insert Configuration/针芯配置:2BP.312 12Low Voltage
 Pin Size/接触件直径:φ0.7mm
 Contact resistance接触电阻:≤12.5mΩ
 Insulation resistance/绝缘电阻:5000MΩ (测试电压500V(DC))
 Withstand voltage/耐电压:1250V(AC)
 Rated working current额定工作电流:7.0A

Other Specification/其它规格:

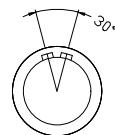
Contact PIN/接触体: Gold plated Tin bronze/锡青铜镀金
 Housing Material/外壳材质: PEEK
 Other Shell Material/其它壳体材质: 铜镀镍
 Insulator material/绝缘体材料: PEEK
 IP Rating/防护等级: IP50

*ALL MATERIALS ARE RoHS COMPLIANT/所有材料均符合RoHS要求.

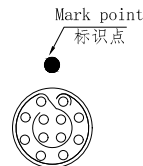
REV/版本	DESCRIPTION/变更内容	DATE/日期	DRAWN BY/绘图



Panel cut-outs
建议安装开孔尺寸



Socket front view
插座前视图



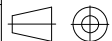
view K
K向孔位排列

DRAWN BY: 绘图: P003	2024.03.28
CHECKED BY: 审核: Z01	2024.03.28
APPROVED BY: 核准: P005	2024.03.28

GENERAL TOLERANCE (UNLESS SPECIFIED)	
≤10	±0.1
<10 ~ ≤20	±0.15
<20 ~ ≤50	±0.3
Angle	±1°



美易连电子科技(深圳)有限公司
 Meiyilian electronic technology(shenzhen)Co.,Ltd.



FIRST ANGLE PROJECTION

REV/版本	A1
--------	----

UNIT: mm	名称	ZCA-2BP 双螺母插座
SCALE: 1:1	PART NAME	ZCA-2BP Double nut socket
SIZE: A4	型号	ZCA. 2BP. 312. KWKL
SHEET: 1 OF 1	PART NAME	

名称	ZCA-2BP 双螺母插座
PART NAME	ZCA-2BP Double nut socket
型号	ZCA. 2BP. 312. KWKL
PART NAME	