

1. Product main performance/产品主要性能指标:

Operating Temperature/工作温度: $-55^{\circ}\text{C} \sim 150^{\circ}\text{C}$
 Humidity(max)/最大潮湿: $\leq 95\%$ [at $60 \text{ deg C} / 140 \text{ F}$]
 Shielding /屏蔽性能: 75dB(10MHz) 40dB(1GHz)
 Salt Spray Corrosion/盐雾: 96hr

Mechanical data/机械特性:

Vibration/振动: 15g[10Hz~2000Hz]
 Shock Resistance/冲击: 100g[6ms]
 Endurance (Shell)/机械寿命: 5000+

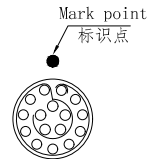
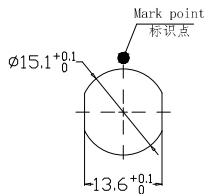
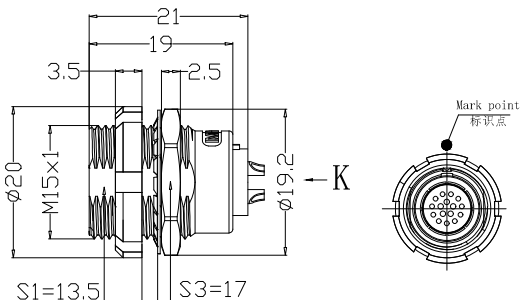
2. 电气性能

Insert Configuration/针芯配置: 2BP.316 16Low Voltage
 Pin Size/接触件直径: $\phi 0.7\text{mm}$
 Contact resistance接触电阻: $\leq 12.5\text{m}\Omega$
 Insulation resistance/绝缘电阻: 5000M Ω (测试电压500V(DC))
 Withstand voltage/耐压: 950V(AC)
 Rated working current额定工作电流: 6.0A

Other Specification/其它规格:

Contact PIN/接触体: Gold plated Tin bronze/锡青铜镀金
 Housing Material/外壳材质: PEEK
 Other Shell Material/其它壳体材质: 铜镀镍
 Insulator material/绝缘体材料: PEEK
 IP Rating/防护等级: IP50
***ALL MATERIALS ARE RoHS COMPLIANT/所有材料均符合RoHS要求.**

REV/版本	DESCRIPTION/描述内容	DATE/日期	DRAWN BY/绘图
--------	------------------	---------	-------------



DRAWN BY: 绘图: P003	2024.05.28
CHECKED BY: 审核: Z01	2024.05.28
APPROVED BY: 核准: P005	2024.05.28



美易连电子科技(深圳)有限公司
 Meiyilian electronic technology (shenzhen) Co., Ltd.

GENERAL TOLERANCE (UNLESS SPECIFIED)	UNIT: mm	名称	ZCG-2BP 双螺母插座
≤ 10 ± 0.1	比例	PART NAME	ZCG-2BP Double nut socket
$< 10^{\circ} \sim 20^{\circ}$ ± 0.15	SCALE: 1: 1	SIZE: M	型号
$< 20^{\circ} \sim 50^{\circ}$ ± 0.3	FIRST ANGLE PROJECTION	REV/版本	A1
Angle $\pm 1^{\circ}$		SHEET: 1 OF 1	PART NAME

REV/版本	A1	SHEET: 1 OF 1
--------	----	---------------

名称	ZCG-2BP 双螺母插座
PART NAME	ZCG-2BP Double nut socket
型号	ZCG. 2BP. 316. KWKL