

1. Product main performance/产品主要性能指标:

Operating Temperature/工作温度: $-55^{\circ}\text{C} \sim 150^{\circ}\text{C}$
 Humidity(max)/最大潮湿: $\leq 95\%$ [at 60 deg C / 140 F]
 Shielding /屏蔽性能: 75dB(10MHz) 40dB(1GHz)
 Salt Spray Corrosion/盐雾: 96hr

Mechanical data/机械特性:

Vibration/振动: $15\text{g}[10\text{Hz} \sim 2000\text{Hz}]$
 Shock Resistance/冲击: $100\text{g}[6\text{ms}]$
 Endurance (Shell)/机械寿命: 5000+

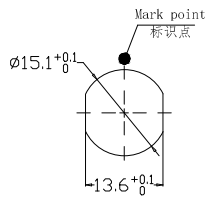
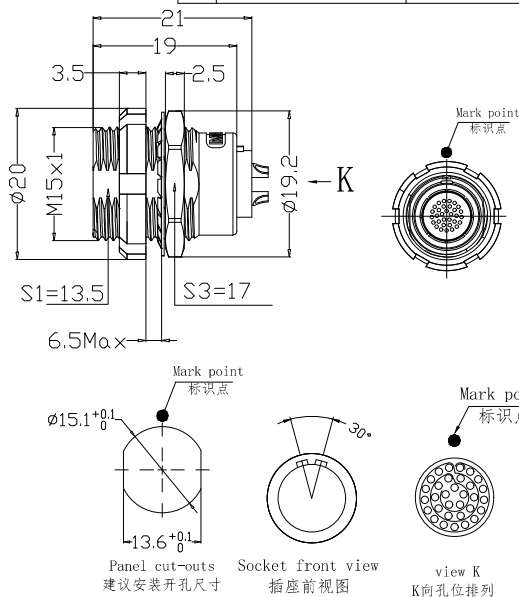
2. 电气性能

Insert Configuration/针芯配置: 2BP. 332 32Low Voltage
 Pin Size/接触件直径: $\phi 0.5\text{mm}$
 Contact resistance接触电阻: $\leq 15\text{m}\Omega$
 Insulation resistance/绝缘电阻: 5000Ω (测试电压500V(DC))
 Withstand voltage/耐电压: 800V(AC)
 Rated working current额定工作电流: 1.5A

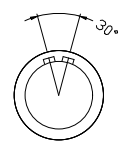
Other Specification/其它规格:

Contact PIN/接触体: Gold plated Tin bronze/锡青铜镀金
 Housing Material/外壳材质: PEEK
 Other Shell Material/其它壳体材质: 铜电镀
 Insulator material/绝缘体材料: PEEK
 IP Rating/防护等级: IP50

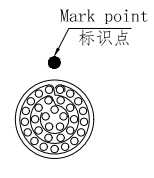
*ALL MATERIALS ARE RoHS COMPLIANT/所有材料均符合RoHS要求.



Panel cut-outs
建议安装开孔尺寸



Socket front view
插座前视图



view K
K向孔位排列

DRAWN BY: 绘图: P003 2024.05.28 CHECKED BY: 审核: Z01 2024.05.28 APPROVED BY: 核准: P005 2024.05.28	
GENERAL TOLERANCE (UNLESS SPECIFIED) $\leq 10 \pm 0.1$ $< 10 \sim \leq 20 \pm 0.15$ $< 20 \sim \leq 50 \pm 0.3$ Angle $\pm 1^{\circ}$	
REV/版本 A1	SHEET: 1 OF 1

美易连电子科技(深圳)有限公司 Meiyilian electronic technology (shenzhen) Co., Ltd.	
单位 UNIT: mm 比例 SCALE: 1:1 名称 PART NAME	ZCA-2BP 双螺母插座 ZCA-2BP Double nut socket
型号 PART NAME	ZCA. 2BP. 332. KWKL

REV/版本	DESCRIPTION/变更内容	DATE/日期	DRAWN BY/绘图
--------	------------------	---------	-------------