

1. Product main performance/产品主要性能指标:

Operating Temperature/工作温度: $-55^{\circ}\text{C}\sim 150^{\circ}\text{C}$
 Humidity(max)/最大潮湿: $\leq 95\%$ [at $60\text{ deg C} / 140\text{ F}$]
 Shielding /屏蔽性能: 75dB(10MHz) 40dB(1GHz)
 Salt Spray Corrosion/盐雾: 96hr

Mechanical data/机械特性:

Vibration/振动: 15g [$10\text{Hz}\sim 2000\text{Hz}$]
 Shock Resistance/冲击: 100g [6ms]
 Endurance (Shell)/机械寿命: 5000+

2. 电气性能

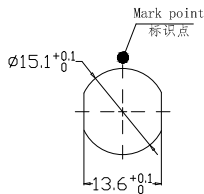
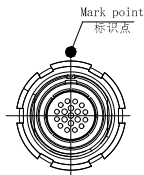
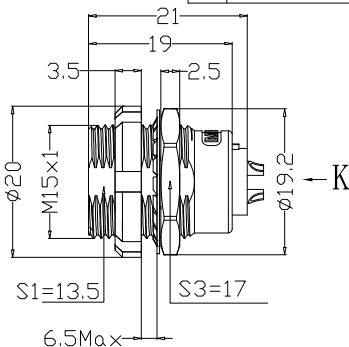
Insert Configuration/针芯配置: 2BP. 319 18Low Voltage
 Pin Size/接触件直径: $\phi 0.7\text{mm}$
 Contact resistance/接触电阻: $\leq 12.5\text{m}\Omega$
 Insulation resistance/绝缘电阻: $5000\text{M}\Omega$ (测试电压500V(DC))
 Withstand voltage/耐电压: 950V(AC)
 Rated working current/额定工作电流: 5.0A

Other Specification/其它规格:

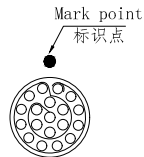
Contact PIN/接触体: Gold plated Tin bronze/锡青铜镀金
 Housing Material/外壳材质: PEEK
 Other Shell Material/其它壳体材质: 铜镀镍
 Insulator material/绝缘体材料: PEEK
 IP Rating/防护等级: IP50

*ALL MATERIALS ARE RoHS COMPLIANT/所有材料均符合RoHS要求.

REV/版本	DESCRIPTION/变更内容	DATE/日期	DRAWN BY/绘图



Panel cut-outs
建议安装开孔尺寸



view K
K向孔位排列

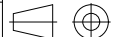
DRAWN BY:
绘图: PD03 2024.05.28
 CHECKED BY:
审核: Z01 2024.05.28
 APPROVED BY:
核准: PD05 2024.05.28



美易连电子科技(深圳)有限公司
 Meiyilian electronic technology (shenzhen) Co., Ltd.

GENERAL TOLERANCE
(UNLESS SPECIFIED)

$\leq 10 \pm 0.1$
 $< 10^{\circ} \sim \leq 20^{\circ} \pm 0.15$
 $< 20^{\circ} \sim \leq 50^{\circ} \pm 0.3$
 Angle $\pm 1^{\circ}$



FIRST ANGLE PROJECTION

UNIT: mm
 比例 SCALE: 1: 1

SIZE: A4
 SHEET: 1 OF 1

REV/版本 A1



名称
PART NAME

ZCG-2BP 双螺母插座
ZCG-2BP Double nut socket

型号
PART NAME

ZCG. 2BP. 319. KWKL