

### 1. Product main performance/产品主要性能指标:

Operating Temperature/工作温度:  $-55^{\circ}\text{C} \sim 150^{\circ}\text{C}$   
 Humidity(max)/最大潮湿:  $<=95\%$  [at 60 deg C / 140 F]  
 Shielding /屏蔽性能: 75dB(10MHz) 40dB(1GHz)  
 Salt Spray Corrosion/盐雾: 96hr

### Mechanical data/机械特性:

Vibration/振动: 15g[10Hz~2000Hz]  
 Shock Resistance/冲击: 100g[6ms]  
 Endurance (Shell)/机械寿命: 5000+

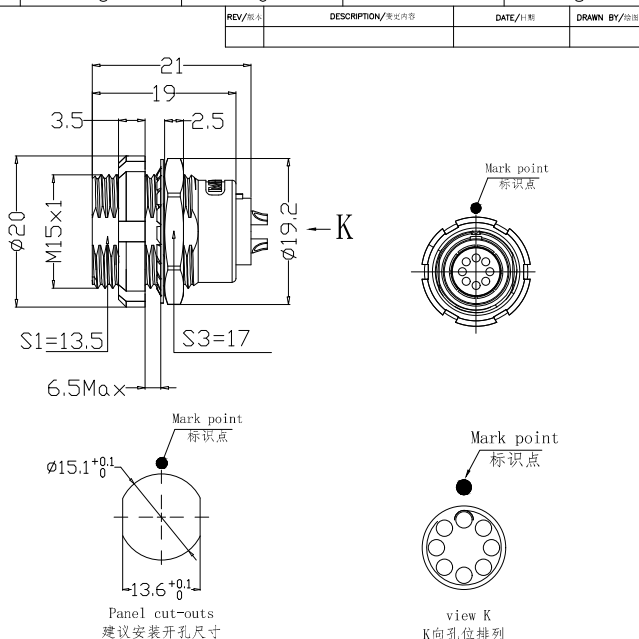
### 2. 电气性能


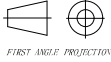
Insert Configuration/针芯配置: 2BP. 308 8Low Voltage  
 Pin Size/接触件直径:  $\phi 0.9\text{mm}$   
 Contact resistance接触电阻:  $\leq 9\text{m}\Omega$   
 Insulation resistance/绝缘电阻: 5000M $\Omega$  (测试电压500V(DC))  
 Withstand voltage/耐压: 1500V(AC)  
 Rated working current额定工作电流: 10.0 A

### Other Specification/其它规格:

Contact PIN/接触体: Gold plated Tin bronze/锡青铜镀金  
 Housing Material/外壳材质: PEEK  
 Other Shell Material/其它壳体材质: 铜镀镍  
 Insulator material/绝缘体材料: PEEK  
 IP Rating/防护等级: IP50

\*ALL MATERIALS ARE RoHS COMPLIANT/所有材料均符合RoHS要求.



DRAWN BY: 绘图: P005 2024.05.28		 美易连电子科技(深圳)有限公司 Meiyilian electronic technology(shenzhen)Co.,Ltd.			
CHECKED BY: 审核: Z01 2024.05.28					
APPROVED BY: 核准: P005 2024.05.28					
GENERAL TOLERANCE (UNLESS SPECIFIED) $\leq 10 \pm 0.1$ $<10^{\circ} \leq 20 \pm 0.15$ $<20^{\circ} \leq 50 \pm 0.3$ Angle $\pm 1^{\circ}$		 FIRST ANGLE PROJECTION		单位 UNIT: mm 比例 SCALE: 1:1 尺寸 SIZE: A4 图号 SHEET: 1 OF 1	名称 PART NAME ZCG-2BP 双螺母插座 ZCG-2BP Double nut socket
REV/版本		A1		型号 PART NAME	ZCG. 2BP. 308. KWKL