

## 1. Product main performance/产品主要性能指标:

Operating Temperature/工作温度:  $-55^{\circ}\text{C} \sim 150^{\circ}\text{C}$

Humidity(max)/最大潮湿:  $<95\%$  [at 60 deg C / 140 F]

Shielding /屏蔽性能: 75dB(10MHz) 40dB(1GHz)

Salt Spray Corrosion/盐雾: 96hr

Mechanical data/机械特性:

Vibration/振动: 15g[10Hz~2000Hz]

Shock Resistance/冲击: 100g[6ms]

Endurance (Shell)/机械寿命: 5000+

Cable/对接电缆:  $\phi 7.1\text{mm} - \phi 8.0\text{mm}$

## 2. 电气性能

Insert Configuration/针芯配置: 2BP.302 2Low Voltage

Pin Size/接触件直径:  $\phi 2.0\text{mm}$

Contact resistance接触电阻:  $\leq 3.5\text{m}\Omega$

Insulation resistance/绝缘电阻: 5000M $\Omega$  (测试电压500V(DC))

Withstand voltage/耐电压: 2100V(AC)

Rated working current额定工作电流: 30.0A

Other Specification/其它规格:

Contact PIN/接触体: Gold plated Tin bronze/锡青铜镀金

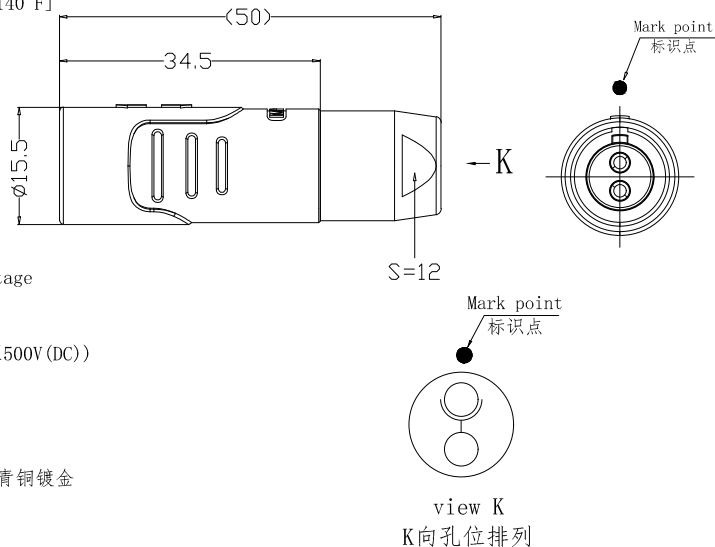
Housing Material/外壳材质: PEEK

Other Shell Material/其它壳体材质: 铜镀镍

Insulator material/绝缘体材料: PPS

IP Rating/防护等级: IP50

\*ALL MATERIALS ARE RoHS COMPLIANT/所有材料均符合RoHS要求.



view K  
K向孔位排列

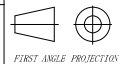
REV/版本	DESCRIPTION/变更内容	DATE/日期	DRAWN BY/制图

DRAWN BY: 绘图: PD03	2024.05.28
CHECKED BY: 审核: Z01	2024.05.28
APPROVED BY: 核准: PD05	2024.05.28



美易连电子科技(深圳)有限公司  
Meiyilian electronic technology(shenzhen)Co.,Ltd.

GENERAL TOLERANCE (UNLESS SPECIFIED)	$\leq 10 \pm 0.1$ $< 10^{\circ} \leq 20^{\circ} \pm 0.15$ $< 20^{\circ} \leq 50^{\circ} \pm 0.3$ AngTe $\pm 1^{\circ}$
---	---



FIRST ANGLE PROJECTION

REV/版本	A1
--------	----

单位 UNIT: mm	名称 PART NAME
比例 SCALE: 1: 1	型号 PART NAME:
SIZE: A4	
SHEET: 1 OF 1	

DHG-2BP浮动插座(不带护套式尾帽)  
DHG-2BP Floating socket  
(without jacketed tail cap)

DHG. 2BP. 302. KWLLDS2