

1. Product main performance/产品主要性能指标:

Operating Temperature/工作温度: $-55^{\circ}\text{C} \sim 150^{\circ}\text{C}$

Humidity(max)/最大潮湿: $\leq 95\%$ [at $60^{\circ}\text{C} / 140^{\circ}\text{F}$]

Shielding /屏蔽性能: 75dB(10MHz) 40dB(1GHz)

Salt Spray Corrosion/盐雾: 96hr

Mechanical data/机械特性:

Vibration/振动: 15g[10Hz~2000Hz]

Shock Resistance/冲击: 100g[6ms]

Endurance (Shell)/机械寿命: 5000+

Cable/配接电缆: $\phi 7.1\text{mm} - \phi 8.0\text{mm}$

2. 电气性能

Insert Configuration/针芯配置: 2BP. 306 6Low Voltage

Pin Size/接触件直径: $\phi 1.3\text{mm}$

Contact resistance接触电阻: $\leq 5\text{m}\Omega$

Insulation resistance/绝缘电阻: $5000\text{M}\Omega$ (测试电压500V(DC))

Withstand voltage/耐电压: 1350V(AC)

Rated working current额定工作电流: 12.0A

Other Specification/其它规格:

Contact PIN/接触体: Gold plated Tin bronze/锡青铜镀金

Housing Material/外壳材质: PEEK

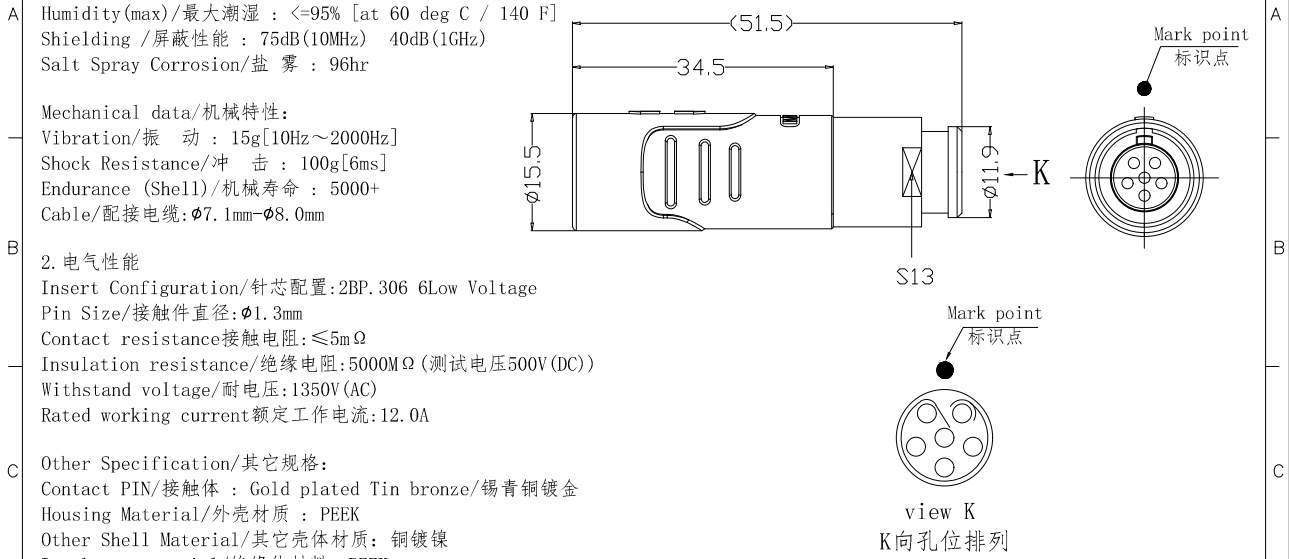
Other Shell Material/其它壳体材质: 铜电镀

Insulator material/绝缘体材料: PEEK

IP Rating/防护等级: IP50

*ALL MATERIALS ARE RoHS COMPLIANT/所有材料均符合RoHS要求.

REV/版本	DESCRIPTION/更改内容	DATE/日期	DRAWN BY/绘图




美易连电子科技(深圳)有限公司
 Meiyilian electronic technology (shenzhen) Co., Ltd.

DRAWN BY: 绘图: P003	2024.05.28
CHECKED BY: 审核: Z01	2024.05.28
APPROVED BY: 核准: P005	2024.05.28
GENERAL TOLERANCE (UNLESS SPECIFIED) $\leq 10 \pm 0.1$ $< 10^{\circ} \sim 20^{\circ} \pm 0.15$ $< 20^{\circ} \sim 50^{\circ} \pm 0.3$ Angle $\pm 1^{\circ}$	

 FIRST ANGLE PROJECTION	单位 UNIT: mm	名称 PART NAME	DHG-2BP浮动式插座(带护套式尾帽) DHG-2BP floating socket (with jacketed tail cap)
	比例 SCALE: 1: 1	型号 PART NAME	
REV/版本	A1	SHEET: 1 OF 1	DHG. 2BP. 306. KWKLDS2Z