

1. Product main performance/产品主要性能指标:

Operating Temperature/工作温度: $-55^{\circ}\text{C} \sim 150^{\circ}\text{C}$
 Humidity(max)/最大潮湿: $< 95\%$ [at $60^{\circ}\text{C} / 140^{\circ}\text{F}$]
 Shielding/屏蔽性能: $75\text{dB}(10\text{MHz}) \quad 40\text{dB}(1\text{GHz})$
 Salt Spray Corrosion/盐雾: 96hr

Mechanical data/机械特性:

Vibration/振动: $15\text{g}[10\text{Hz} \sim 2000\text{Hz}]$
 Shock Resistance/冲击: $100\text{g}[6\text{ms}]$
 Endurance (Shell)/机械寿命: 5000+
 Cable/配接电缆: $\phi 5.1\text{mm} - \phi 6.0\text{mm}$

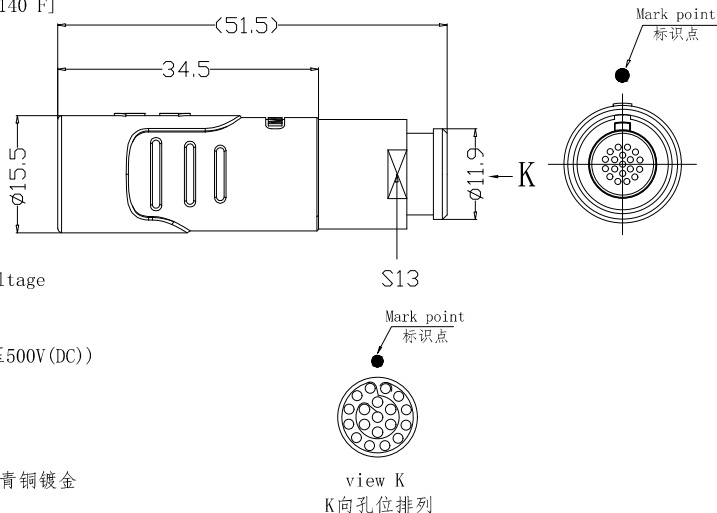
2. 电气性能

Insert Configuration/针芯配置: 2BP. 319 19Low Voltage
 Pin Size/接触件直径: $\phi 0.7\text{mm}$
 Contact resistance接触电阻: $\leq 12.5\text{m}\Omega$
 Insulation resistance/绝缘电阻: $5000\text{M}\Omega$ (测试电压500V(DC))
 Withstand voltage/耐电压: 950V(AC)
 Rated working current额定工作电流: 5.0A


Other Specification/其它规格:

Contact PIN/接触体: Gold plated Tin bronze/锡青铜镀金
 Housing Material/外壳材质: PEEK
 Other Shell Material/其它壳体材质: 铜镀镍
 Insulator material/绝缘体材料: PPS
 IP Rating/防护等级: IP50

*ALL MATERIALS ARE RoHS COMPLIANT/所有材料均符合RoHS要求.



view K
K向孔位排列

DRAWN BY: 绘图: P003 2024.05.28 CHECKED BY: 审核: Z01 2024.05.28 APPROVED BY: 核准: P003 2024.05.28	 美易连电子科技(深圳)有限公司 Meiyilian electronic technology (shenzhen) Co., Ltd.		单位	名称	DHG-2BP浮动式插座(带护套式尾帽) DHG-2BP Flouwing socket (with jacketed tail cap)
			UNT: mm	PART NAME	
GENERAL TOLERANCE (UNLESS SPECIFIED) $\leq 10 \pm 0.1$ $< 10^{\circ} \leq 20 \pm 0.15$ $< 20^{\circ} \leq 50 \pm 0.3$ Angle $\pm 1^{\circ}$			比例	型号 DHG. 2BP. 319. KWLLD62Z	
			SCALE: 1: 1		PART NAME
FIRST ANGLE PROJECTION			SIZE: A4		
REV/版本	A1	SHEET: 1 Of 1			