

1. Product main performance/产品主要性能指标:

Operating Temperature/工作温度: $-55^{\circ}\text{C} \sim 150^{\circ}\text{C}$

Humidity(max)/最大潮湿: $\leq 95\%$ [at 60 deg C / 140 F]

Shielding /屏蔽性能: 75dB(10MHz) 40dB(1GHz)

Salt Spray Corrosion/盐雾: 96hr

Mechanical data/机械特性:

Vibration/振动: 15g[10Hz~2000Hz]

Shock Resistance/冲击: 100g[6ms]

Endurance (Shell)/机械寿命: 5000+

2. 电气性能

Insert Configuration/针芯配置: 2BP.332 32Low Voltage

Pin Size/接触件直径: $\phi 0.5\text{mm}$

Contact resistance接触电阻: $\leq 15\text{m}\Omega$

Insulation resistance/绝缘电阻: 5000M Ω (测试电压500V(DC))

Withstand voltage/耐电压: 800V(AC)

Rated working current额定工作电流: 1.5A

Other Specification/其它规格:

Contact PIN/接触体: Gold plated Tin bronze/锡青铜镀金

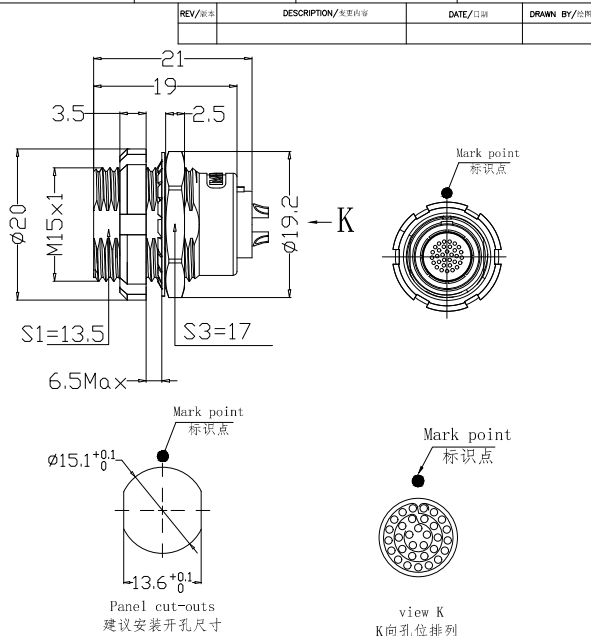
Housing Material/外壳材质: PEEK

Other Shell Material/其它壳体材质: 铜镀镍

Insulator material/绝缘体材料: PPS

IP Rating/防护等级: IP50

*ALL MATERIALS ARE RoHS COMPLIANT/所有材料均符合RoHS要求.



DRAWN BY: 绘图: P003	2024.05.28	 美易连电子科技(深圳)有限公司 Meiyilian electronic technology (shenzhen) Co., Ltd.			
CHECKED BY: 审核: Z01	2024.05.28		 FIRST ANGLE PROJECTION	单位: mm	名称
APPROVED BY: 核准: P005	2024.05.28			比例 SCALE: 1:1	PART NAME
GENERAL TOLERANCE (UNLESS SPECIFIED)			名称	ZCG-2BP 双螺母插座	
≤ 10 ± 0.1			比例	ZCG-2BP Double nut socket	
$< 10^{\circ} \sim 20^{\circ}$ ± 0.15			名称		
$< 20^{\circ} \sim 50^{\circ}$ ± 0.3			比例		
Angle $\pm 1^{\circ}$			名称		
			型号	ZCG. 2BP. 332. KWLL	
			PART NAME		
REV/版本	A1		SHEET: 1 OF 1		