

1. Product main performance/产品主要性能指标:

Operating Temperature/工作温度: $-55^{\circ}\text{C} \sim 150^{\circ}\text{C}$
 Humidity(max)/最大潮湿: $\leq 95\%$ [at 40 deg C / 140 F]
 Shielding /屏蔽性能: 75dB(10MHz) 40dB(1GHz)
 Salt Spray Corrosion/盐雾: 96hr

Mechanical data/机械特性:

Vibration/振动: 15g[10Hz~2000Hz]
 Shock Resistance/冲击: 100g[6ms]
 Endurance (Shell)/机械寿命: 5000+

2. 电气性能

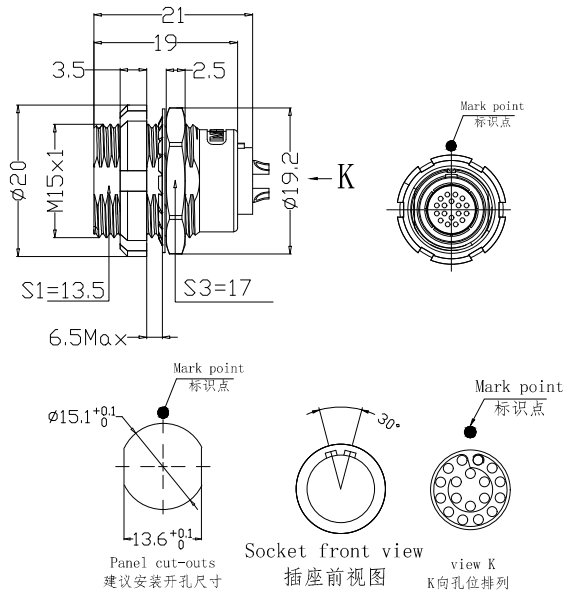
Insert Configuration/针芯配置: 2BP. 318 18Low Voltage
 Pin Size/接触件直径: $\phi 0.7\text{mm}$
 Contact resistance接触电阻: $\leq 12.5\text{m}\Omega$
 Insulation resistance/绝缘电阻: 50000 Ω (测试电压500V(DC))
 Withstand voltage/耐电压: 850V(AC)
 Rated working current额定工作电流: 5.5A

Other Specification/其它规格:

Contact PIN/接触体: Gold plated Tin bronze/锡青铜镀金
 Housing Material/外壳材质: PEEK
 Other Shell Material/其它壳体材质: 铜镀镍
 Insulator material/绝缘体材料: PPS
 IP Rating/防护等级: IP50

*ALL MATERIALS ARE RoHS COMPLIANT/所有材料均符合RoHS要求.

REV/版本	DESCRIPTION/变更信息	DATE/日期	DRAWN BY/设计

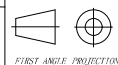


DRAWN BY: 绘图: P003	2024. 05. 28
CHECKED BY: 审核: Z01	2024. 05. 28
APPROVED BY: 核准: P005	2024. 05. 28



美易连电子科技(深圳)有限公司
 Meiyilian electronic technology (shenzhen) Co., Ltd.

GENERAL TOLERANCE (UNLESS SPECIFIED)	UNT: mm
$\leq 10 \pm 0.1$	名称 PART NAME
$< 10^{\circ} \leq 20 \pm 0.15$	ZCA-2BP 双螺母插座
$< 20^{\circ} \leq 50 \pm 0.3$	ZCA-2BP Double nut socket
Angle $\pm 1^{\circ}$	型号 PART NAME
	ZCA. 2BP. 318. KWLL



FIRST ANGLE PROJECTION

REV/版本	A1
SHEET/版数	1 OF 1