

1. Product main performance/产品主要性能指标:

Operating Temperature/工作温度 : -55°C~150°C
 Humidity(max)/最大潮湿 : <=95% [at 60 deg C / 140 F]
 Shielding /屏蔽性能 : 75dB(10MHz) 40dB(1GHz)
 Salt Spray Corrosion/盐雾 : 96hr

Mechanical data/机械特性:

Vibration/振动 : 15g[10Hz~2000Hz]
 Shock Resistance/冲击 : 100g[6ms]
 Endurance (Shell)/机械寿命 : 5000+

2. 电气性能

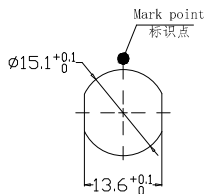
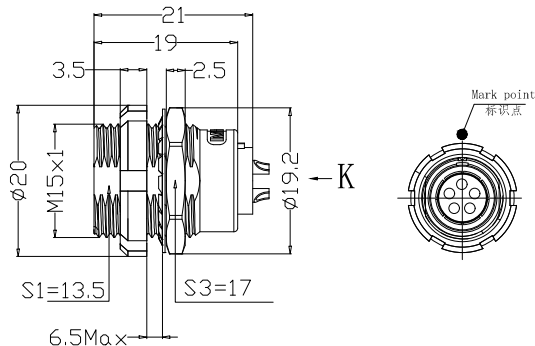
Insert Configuration/针芯配置:2BP.305 5Low Voltage
 Pin Size/接触件直径:φ1.3mm
 Contact resistance接触电阻:≤5mΩ
 Insulation resistance/绝缘电阻:5000MΩ (测试电压500V(DC))
 Withstand voltage/耐电压:1750V(AC)
 Rated working current额定工作电流:14.0A

Other Specification/其它规格:

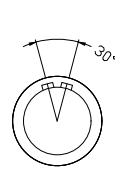
Contact PIN/接触体 : Gold plated Tin bronze/锡青铜镀金
 Housing Material/外壳材质 : PEEK
 Other Shell Material/其它壳体材质: 铜镀镍
 Insulator material/绝缘体材料: PEEK
 IP Rating/防护等级 : IP50

*ALL MATERIALS ARE RoHS COMPLIANT/所有材料均符合RoHS要求.

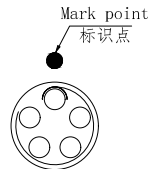
REV/版本	DESCRIPTION/说明内容	DATE/日期	DRAWN BY/绘图
--------	------------------	---------	-------------



Panel cut-outs
建议安装开孔尺寸



Socket front view
插座前视图



view K
K向孔位排列

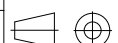
DRAWN BY:
绘图: P003 2024. 05. 28
CHECKED BY:
审核: Z01 2024. 05. 28
APPROVED BY:
核准: P005 2024. 05. 28



美易连电子科技(深圳)有限公司
Meilian electronic technology (shenzhen) Co., Ltd.

GENERAL TOLERANCE
(UNLESS SPECIFIED)

≤10 ±0.1
 <10~≤20 ±0.15
 <20~≤50 ±0.3
 Angle ±1°



FIRST ANGLE PROJECTION

单位
UNIT: mm

名称
PART NAME

比例
SCALE: 1: 1

型号
PART NAME

REV/版本

A1

SHEET: 1 OF 1

ZCA-2BP 双螺母插座
ZCA-2BP Double nut socket

ZCA. 2BP. 305. KWKL