

REV/版本	DESCRIPTION/变更内容	DATE/日期	DRAWN BY/绘图

1. Product main performance/产品主要性能指标:
 Operating Temperature/工作温度 : -55℃~125℃
 Humidity(max)/最大潮湿 : <=95% [at 60 deg C / 140 F]
 Shielding /屏蔽性能 : 75dB(10MHz) 40dB(1GHz)
 Salt Spray Corrosion/盐雾 : 96hr
 P op (max)/最大环境压力 : 60 bar (870 psi)

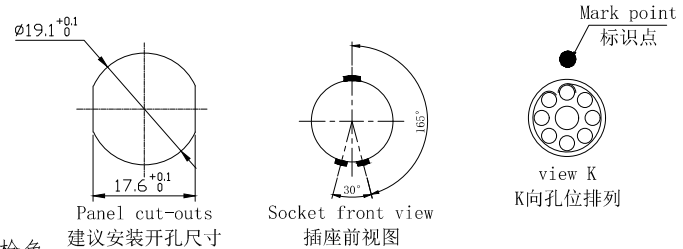
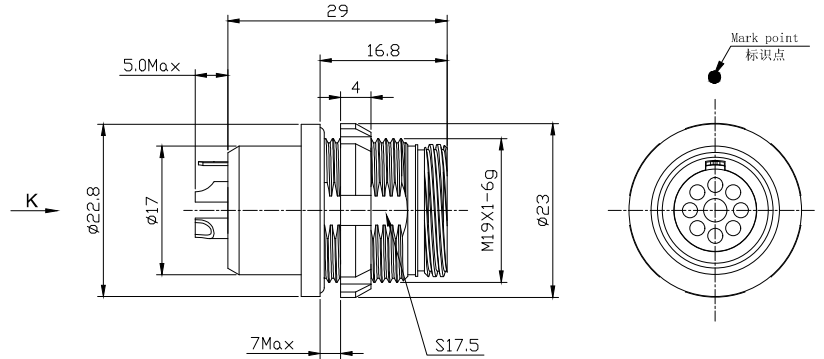
Mechanical data/机械特性:
 Vibration/振动 : 15g[10Hz~2000Hz]
 Shock Resistance/冲击 : 300g[3ms]
 Endurance (Shell)/机械寿命 : 2000次

2. 电气性能

Insert Configuration/针芯配置:3M.309 9Low Voltage
 Pin Size/接触件直径:Ø2.0mm/1.3mm
 Contact resistance接触电阻:≤3.5mΩ/5mΩ
 Insulation resistance/绝缘电阻:5000MΩ (测试电压500V(DC))
 Withstand voltage/耐电压:750V(AC)
 Rated working current额定工作电流:15.0A/16.0A

Other Specification/其它规格:

Contact PIN/接触体 : Gold plated Tin bronze/锡青铜镀金
 Housing Material/外壳材质 : Gun color plated aluminium /铝合金镀枪色
 Other metal spare parts/其余金属件 : Nickel plated brass/铜镀镍
 Glue filling type/灌胶类型: White silica gel/白色硅胶
 Insulator material/绝缘材料: PPS
 IP Rating/防护等级 : IP68(头座配合)
 *ALL MATERIALS ARE RoHS COMPLIANT/所有材料均符合RoHS要求.



DRAWN BY: 绘图:PDO3		2024. 05. 28
CHECKED BY: 审核:Z01		2024. 05. 28
APPROVED BY: 核准:PDO5		2024. 05. 28
GENERAL TOLERANCE (UNLESS SPECIFIED)		
≤10 ±0.1		
<10 ~ ≤20 ±0.15		
<20 ~ ≤50 ±0.3		
Angle ±1°		
FIRST ANGLE PROJECTION		
REV/版本	A1	SHEET: 1 OF 1



美易连电子科技(深圳)有限公司
 Meiyilian electronic technology(shenzhen)Co.,Ltd.

UNIT: mm	名称	ZGA-3M固定式插座
SCALE: 1: 1	PART NAME	ZGA-3M Fixed socket
SIZE: A4	型号	ZGA. 3M. 309. XLL
REV/版本	PART NAME	