

1. Product main performance/产品主要性能指标:

Operating Temperature/工作温度: $-55^{\circ}\text{C}\sim 150^{\circ}\text{C}$

Humidity(max)/最大潮湿: $\leq 95\%$ [at 60°C / 140°F]

Shielding /屏蔽性能: 75dB(10MHz) 40dB(1GHz)

Salt Spray Corrosion/盐雾: 96hr

Mechanical data/机械特性:

Vibration/振动: 15g [$10\text{Hz}\sim 2000\text{Hz}$]

Shock Resistance/冲击: 100g [6ms]

Endurance (Shell)/机械寿命: 5000+

2. 电气性能

Insert Configuration/针芯配置: 3BP. 309 9Low Voltage

Pin Size/接触件直径: $\phi 2.0/1.3\text{mm}$

Contact resistance接触电阻: $\leq 3.5\text{m}\Omega, 5\text{m}\Omega$

Insulation resistance/绝缘电阻: 50000Ω (测试电压 500V (DC))

Withstand voltage/耐电压: 1350V (AC)

Rated working current额定工作电流: $15.0/6.0\text{A}$

Other Specification/其它规格:

Contact PIN/接触体: Gold plated Tin bronze/锡青铜镀金

Housing Material/外壳材质: PEEK

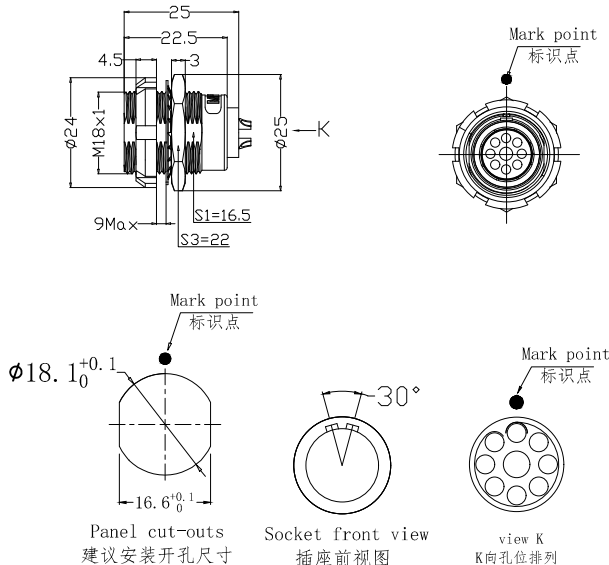
Other Shell Material/其它壳体材质: 铜镀镍

Insulator material/绝缘体材料: PEEK

IP Rating/防护等级: IP50

*ALL MATERIALS ARE RoHS COMPLIANT/所有材料均符合RoHS要求.

REV/版本	DESCRIPTION/版本内容	DATE/日期	DRAWN BY/绘图

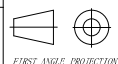


DRAWN BY:
绘图: P003 2024.05.28
CHECKED BY:
审核: Z01 2024.05.28
APPROVED BY:
核准: P003 2024.05.28



美易连电子科技(深圳)有限公司
Meiyilian electronic technology (shenzhen) Co., Ltd.

GENERAL TOLERANCE
(UNLESS SPECIFIED)
 $\leq 10 \pm 0.1$
 $< 10^{\circ} \sim 20^{\circ} \pm 0.15$
 $< 20^{\circ} \sim 50^{\circ} \pm 0.3$
Angle $\pm 1^{\circ}$



FIRST ANGLE PROJECTION

单位
UNIT: mm
比例
SCALE: 1:1
名称
PART NAME

ZCA-3BP 双螺母插座
ZCA-3BP Double nut socket

型号
PART NAME

ZCA. 3BP. 309. KWKL

REV/版本 A1 SHEET: 1 OF 1