

| REV/版本 | DESCRIPTION/变更内容 | DATE/日期    | DRAWN BY/绘图 |
|--------|------------------|------------|-------------|
| A2     | 更正尾帽展位尺寸         | 2022.06.22 | PD03        |

### 1. Product main performance/产品主要性能指标:

Operating Temperature/工作温度 :  $-55^{\circ}\text{C} \sim 200^{\circ}\text{C}$   
Humidity(max)/最大潮湿 :  $\leq 95\%$  [at 60 deg C / 140 F]  
Shielding /屏蔽性能 : 75dB(10MHz) 40dB(1GHz)  
Salt Spray Corrosion/盐雾 : 96hr  
P op (max)/最大环境压力 : 60 bar (870 psi)

### Mechanical data/机械特性:

Vibration/振动 : 15g[10Hz~2000Hz]  
Shock Resistance/冲击 : 100g[6ms]  
Endurance (Shell)/机械寿命 : 5000+

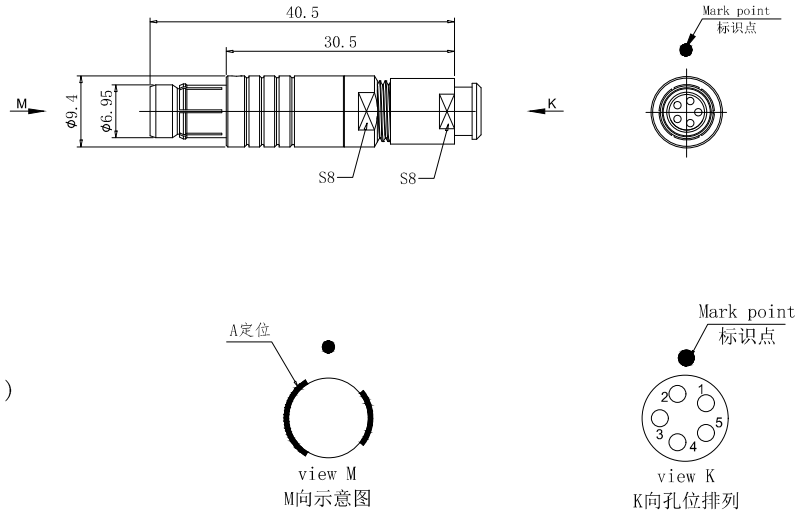
### 2. 电气性能

Insert Configuration/针芯配置:0F.305 5Low Voltage  
Pin Size/接触件直径: $\phi 0.7\text{mm}$   
Contact resistance接触电阻: $\leq 12.5\text{m}\Omega$   
Insulation resistance/绝缘电阻:5000M $\Omega$  (测试电压500V(DC))  
Withstand voltage/耐电压:750V(AC)  
Rated working current额定工作电流:6.5A  
Cable/配接电缆: $\phi 2.1\text{mm} - \phi 3.0\text{mm}$

### Other Specification/其它规格:

Contact PIN/接触体 :Gold-Tin bronze plating/锡青铜镀金  
Housing Material/外壳材质 :Pearl-plated chrome brass/黄铜镀珍珠铬  
Other metal spare parts/其余金属件 : nickel plated brass/黄铜镀镍  
Insulator material/绝缘材料: PPS  
IP Rating/防护等级 :IP68(尾部密封防护处理)

\*ALL MATERIALS ARE RoHS COMPLIANT/所有材料均符合RoHS要求.

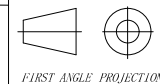


DRAWN BY:  
绘图:PD03 2024.05.28  
CHECKED BY:  
审核:Z01 2024.05.28  
APPROVED BY:  
核准:PD05 2024.05.28

GENERAL TOLERANCE  
(UNLESS SPECIFIED)  
 $\leq 10 \pm 0.1$   
 $< 10^{\circ} \leq 20^{\circ} \pm 0.15$   
 $< 20^{\circ} \leq 50^{\circ} \pm 0.3$   
AngIte  $\pm 1^{\circ}$



美易连电子科技(深圳)有限公司  
Meiyilian electronic technology(shenzhen)Co.,Ltd.



REV/版本 A2

单位  
UNTT: mm  
比例  
SCALE: 1: 1  
SIZE: A4  
SHEET: 1 OF 1

名称  
PART NAME  
型号  
PART NAME

TGA-0F直式插头(带护套式尾帽)  
TGA-0F Straight Plug  
(with jacketed tail cap)

TGA. 0F. 305. CLAD32Z