

REV/版本	DESCRIPTION/变更内容	DATE/日期	DRAWN BY/绘图

1. Product main performance/产品主要性能指标:

Operating Temperature/工作温度 : -55°C~200°C
 Humidity(max)/最大潮湿 : <=95% [at 60 deg C / 140 F]
 Shielding /屏蔽性能 : 75dB(10MHz) 40dB(1GHz)
 Salt Spray Corrosion/盐雾 : 96hr
 P op (max)/最大环境压力 : 60 bar (870 psi)

Mechanical data/机械特性:

Vibration/振动 : 15g[10Hz~2000Hz]
 Shock Resistance/冲击 : 100g[6ms]
 Endurance (Shell)/机械寿命 : 5000+

2. 电气性能

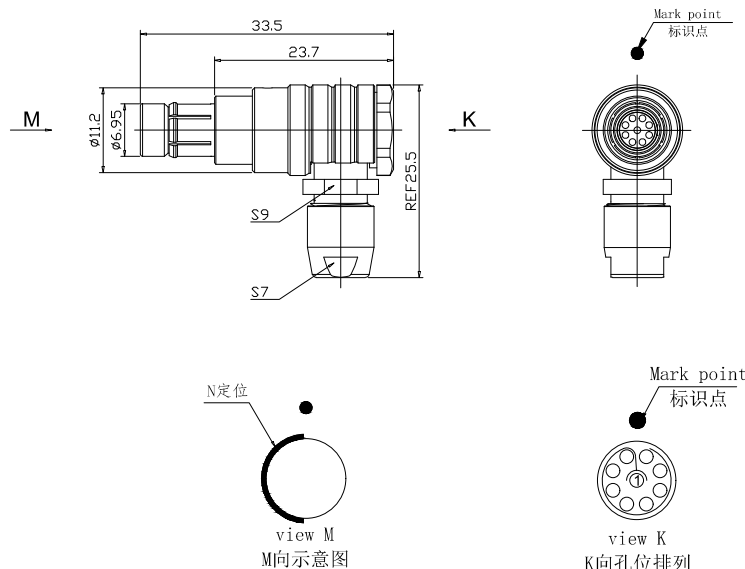
Insert Configuration/针芯配置:0F. 309 9Low Voltage
 Pin Size/接触件直径:Ø0. 5mm
 Contact resistance接触电阻:≤15mΩ
 Insulation resistance/绝缘电阻:5000MΩ (测试电压500V(DC))
 Withstand voltage/耐电压:500V(AC)
 Rated working current额定工作电流:2. 0A
 Cable/配接电缆:Ø2. 5mm-Ø3. 0mm

Other Specification/其它规格:

Contact PIN/接触体 :Gold-Tin bronze plating/锡青铜镀金
 Housing Material/外壳材质 :black chrome plated brass/黄铜镀黑铬
 Other metal spare parts/其余金属件 : nickel plated brass/黄铜镀镍

Insulator material/绝缘材料: PPS
 IP Rating/防护等级 :IP68(尾部密封防护处理)

*ALL MATERIALS ARE RoHS COMPLIANT/所有材料均符合RoHS要求.



A

B

C

D

A

B

C

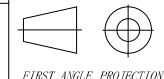
D



美易连电子科技(深圳)有限公司
 Meiyilian electronic technology(shenzhen)Co.,Ltd.

DRAWN BY:
 绘图:PDO3 2024. 05. 28
 CHECKED BY:
 审核:Z01 2024. 05. 28
 APPROVED BY:
 核准:PDO5 2024. 05. 28

GENERAL TOLERANCE
 (UNLESS SPECIFIED)
 ≤10 ±0. 1
 <10~≤20 ±0. 15
 <20~≤50 ±0. 3
 Angle ±1°



FIRST ANGLE PROJECTION

单位
 UNTT: mm
 比例
 SCALE: 1: 1

名称
 PART NAME

TWN-0F弯角插头(不带护套式尾帽)
 TWN-0F Angle Plug
 (without jacketed tail cap)

型号
 PART NAME

TWN. 0F. 309. Klad32

REV/版本 A1

SHEET: 1 OF 1