

REV/版本	DESCRIPTION/变更内容	DATE/日期	DRAWN BY/绘图

1. Product main performance/产品主要性能指标:

Operating Temperature/工作温度 : -55℃~200℃
 Humidity(max)/最大潮湿 : <=95% [at 60 deg C / 140 F]
 Shielding /屏蔽性能 : 75dB(10MHz) 40dB(1GHz)
 Salt Spray Corrosion/盐雾 : 96hr
 P op (max)/最大环境压力 : 60 bar (870 psi)

Mechanical data/机械特性:

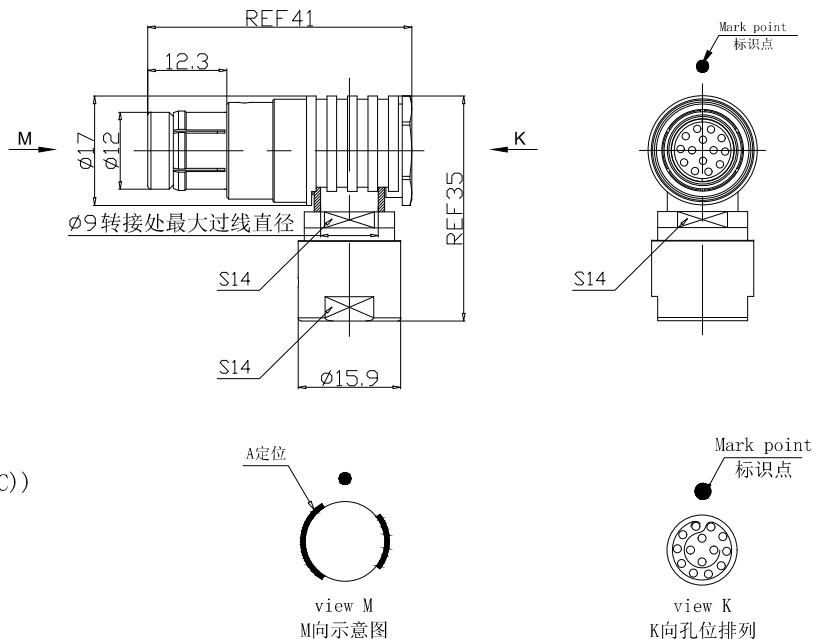
Vibration/振动 : 15g[10Hz~2000Hz]
 Shock Resistance/冲击 : 100g[6ms]
 Endurance (Shell)/机械寿命 : 5000+

2. 电气性能


Insert Configuration/针芯配置: 2F. 314 14Low Voltage
 Pin Size/接触件直径: $\phi 0.7$ mm
 Contact resistance接触电阻: ≤ 12.5 m Ω
 Insulation resistance/绝缘电阻: 5000M Ω (测试电压500V(DC))
 Withstand voltage/耐电压: 875V(AC)
 Rated working current额定工作电流: 6.5A
 Cable/配接电缆: $\phi 8.1$ mm- $\phi 9.0$ mm

Other Specification/其它规格:

Contact PIN/接触体 : Gold plated Tin bronze/锡青铜镀金
 Housing Material/外壳材质 : Pearl-plated chrome brass/铜镀珍珠铬
 Other metal spare parts/其余金属件 : Nickel plated brass/铜镀镍
 Insulator material/绝缘材料: PPS
 IP Rating/防护等级 : IP68(插合状态)
 *ALL MATERIALS ARE RoHS COMPLIANT/所有材料均符合RoHS要求.



DRAWN BY: 绘图: PD03		2024. 05. 28
CHECKED BY: 审核: Z01		2024. 05. 28
APPROVED BY: 核准: PD05		2024. 05. 28
GENERAL TOLERANCE (UNLESS SPECIFIED)		
$\leq 10 \pm 0.1$		
$< 10 \sim \leq 20 \pm 0.15$		
$< 20 \sim \leq 50 \pm 0.3$		
Angle $\pm 1^\circ$		

 美易连电子科技(深圳)有限公司 Meiyilian electronic technology(shenzhen)Co.,Ltd.		UNIT: mm	名称	TWA-2F弯角插头(不带护套式尾帽)
		SCALE: 1: 1	PART NAME	TWA-2F Angle Plug (without jacketed tail cap)
REV/版本	A1	SIZE: A4	型号	TWA. 2F. 314. CLAD92-2B
SHEET: 1 OF 1		PART NAME		