

REV/版本	DESCRIPTION/变更内容	DATE/日期	DRAWN BY/绘图

1. Product main performance/产品主要性能指标:

Operating Temperature/工作温度 : -55°C~200°C
 Humidity(max)/最大潮湿 : <=95% [at 60 deg C / 140 F]
 Shielding /屏蔽性能 : 75dB(10MHz) 40dB(1GHz)
 Salt Spray Corrosion/盐雾 : 96hr
 P op (max)/最大环境压力 : 60 bar (870 psi)

Mechanical data/机械特性:

Vibration/振动 : 15g[10Hz~2000Hz]
 Shock Resistance/冲击 : 100g[6ms]
 Endurance (Shell)/机械寿命 : 5000+

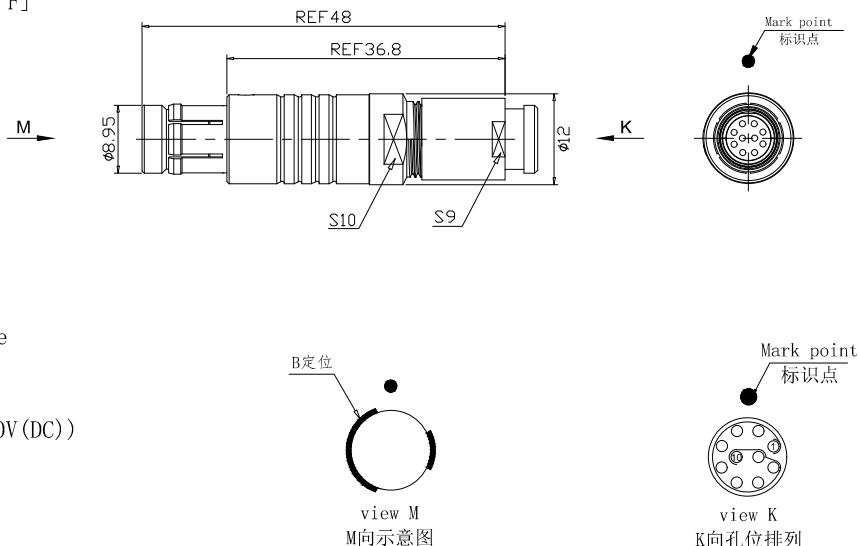
2. 电气性能

Insert Configuration/针芯配置:1F.310 10Low Voltage
 Pin Size/接触件直径:Ø0.5mm
 Contact resistance接触电阻:≤15mΩ
 Insulation resistance/绝缘电阻:5000MΩ (测试电压500V(DC))
 Withstand voltage/耐电压:400V(AC)
 Rated working current额定工作电流:2.5A
 Cable/配接电缆:Ø3.1mm-Ø4.0mm

Other Specification/其它规格:

Contact PIN/接触体 :Gold-Tin bronze plating/锡青铜镀金
 Housing Material/外壳材质 :Pearl-plated chrome brass/黄铜镀珍珠铬
 Other metal spare parts/其余金属件 : nickel plated brass/黄铜镀镍
 Insulator material/绝缘材料: PPS
 IP Rating/防护等级 :IP68(尾部密封防护处理)

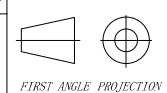
*ALL MATERIALS ARE RoHS COMPLIANT/所有材料均符合RoHS要求.



A
B
C
D

A
B
C
D

DRAWN BY: 绘图:PDO3 2024.05.28		<p>美易连电子科技(深圳)有限公司 Meiyilian electronic technology(shenzhen)Co.,Ltd.</p>
CHECKED BY: 审核:Z01 2024.05.28		
APPROVED BY: 核准:PDO5 2024.05.28		
<p>GENERAL TOLERANCE (UNLESS SPECIFIED)</p> <p>≤10 ±0.1 <10~≤20 ±0.15 <20~≤50 ±0.3 Angle ±1°</p>		<p>单位 UNIT: mm</p> <p>比例 SCALE: 1: 1</p> <p>型号 SIZE: A4</p>
REV/版本	A1	SHEET: 1 OF 1



名称 PART NAME	TGB-1F直式插头(带护套式尾帽) TGB-1F Straight Plug (with jacketed tail cap)
型号 PART NAME	TGB. 1F. 310. CLAD42Z