

|        |                  |         |             |
|--------|------------------|---------|-------------|
| REV/版本 | DESCRIPTION/变更内容 | DATE/日期 | DRAWN BY/绘图 |
|        |                  |         |             |

1. Product main performance/产品主要性能指标:

Operating Temperature/工作温度 : -55°C~200°C  
 Humidity(max)/最大潮湿 : <=95% [at 60 deg C / 140 F]  
 Shielding /屏蔽性能 : 75dB(10MHz) 40dB(1GHz)  
 Salt Spray Corrosion/盐雾 : 96hr  
 P op (max)/最大环境压力 : 60 bar (870 psi)

Mechanical data/机械特性:

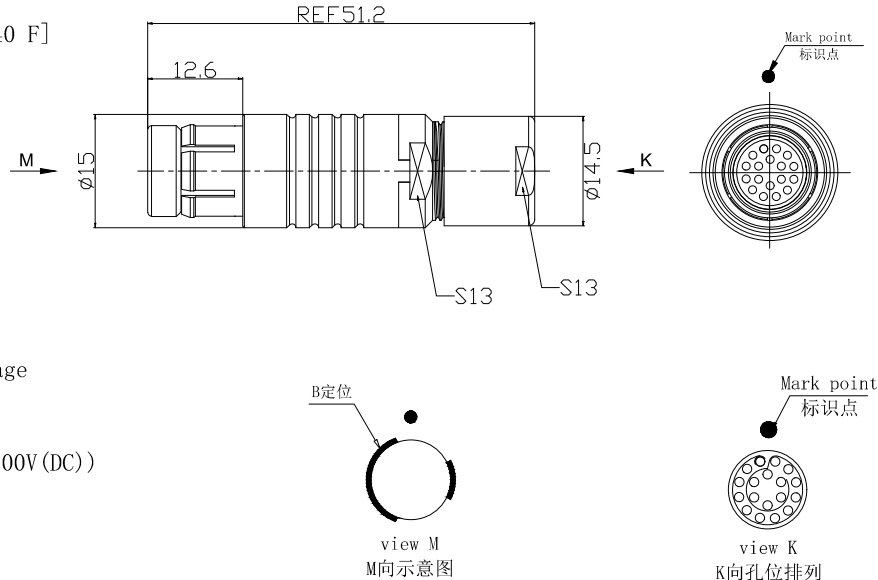
Vibration/振动 : 15g[10Hz~2000Hz]  
 Shock Resistance/冲击 : 100g[6ms]  
 Endurance (Shell)/机械寿命 : 5000+

2. 电气性能

Insert Configuration/针芯配置:2F.318 18Low Voltage  
 Pin Size/接触件直径:Ø0.7mm  
 Contact resistance接触电阻:≤12.5mΩ  
 Insulation resistance/绝缘电阻:5000MΩ (测试电压500V(DC))  
 Withstand voltage/耐电压:875V(AC)  
 Rated working current额定工作电流:5.5A  
 Cable/配接电缆:Ø6.1mm-Ø7.0mm

Other Specification/其它规格:

Contact PIN/接触体 : Gold plated Tin bronze/锡青铜镀金  
 Housing Material/外壳材质 : black chrome plated brass/铜镀铬铬  
 Other metal spare parts/其余金属件 : Nickel plated brass/铜镀镍  
 Insulator material/绝缘材料: PPS  
 IP Rating/防护等级 : IP68(插合状态)  
 \*ALL MATERIALS ARE RoHS COMPLIANT/所有材料均符合RoHS要求.



A

A

B

B

C

C

D

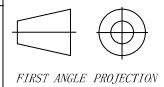
D

DRAWN BY:  
绘图:PD03 2024.05.28  
CHECKED BY:  
审核:Z01 2024.05.28  
APPROVED BY:  
核准:PD05 2024.05.28



美易连电子科技(深圳)有限公司  
 Meiyilian electronic technology(shenzhen)Co.,Ltd.

|                                      |          |
|--------------------------------------|----------|
| GENERAL TOLERANCE (UNLESS SPECIFIED) | ≤10 ±0.1 |
| <10°~≤20                             | ±0.15    |
| <20°~≤50                             | ±0.3     |
| Angle                                | ±1°      |



单位  
UNIT: mm  
比例  
SCALE: 1: 1  
SIZE: A4

名称  
PART NAME

TGB-2F 直式插头 (不带护套式尾帽)  
 TGB-2F Straight Plug  
 (without jacketed tail cap)

REV/版本 A1

SHEET: 1 OF 1

型号  
PART NAME

TGB. 2F. 318. KLD72