

|        |                  |         |             |
|--------|------------------|---------|-------------|
| REV/版本 | DESCRIPTION/变更内容 | DATE/日期 | DRAWN BY/绘图 |
|        |                  |         |             |

1. Product main performance/产品主要性能指标:

Operating Temperature/工作温度 : -55°C~200°C  
Humidity(max)/最大潮湿 : <=95% [at 60 deg C / 140 F]  
Shielding /屏蔽性能 : 75dB(10MHz) 40dB(1GHz)  
Salt Spray Corrosion/盐雾 : 96hr  
P op (max)/最大环境压力 : 60 bar (870 psi)

Mechanical data/机械特性:

Vibration/振动 : 15g[10Hz~2000Hz]  
Shock Resistance/冲击 : 100g[6ms]  
Endurance (Shell)/机械寿命 : 5000+

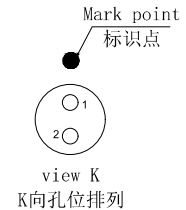
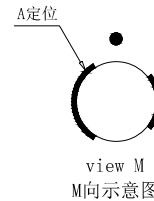
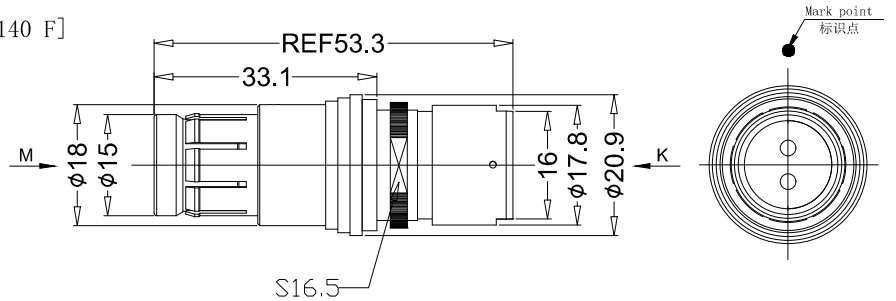
2. 电气性能


Insert Configuration/针芯配置:3F.302 2Low Voltage  
Pin Size/接触件直径:φ3.0mm  
Contact resistance接触电阻:≤3mΩ  
Insulation resistance/绝缘电阻:5000MΩ (测试电压500V(DC))  
Withstand voltage/耐电压:1500V(AC)  
Rated working current额定工作电流:35.0A  
Cable/配接电缆:φ7.1mm-φ8.0mm

Other Specification/其它规格:

Contact PIN/接触体 : Gold plated Tin bronze/锡青铜镀金  
Housing Material/外壳材质 : Pearl-plated chrome brass/铜镀珍珠铬  
Other metal spare parts/其余金属件 : Nickel plated brass/铜镀镍  
Insulator material/绝缘材料: PPS  
IP Rating/防护等级 : IP68(插合状态)

\*ALL MATERIALS ARE RoHS COMPLIANT/所有材料均符合RoHS要求.



|   |    |   |  |
|---|----|---|--|
| DRAWN BY:<br>绘图:PD03 2024.05.28<br>CHECKED BY:<br>审核:Z01 2024.05.28<br>APPROVED BY:<br>核准:PD05 2024.05.28 |    |  美易连电子科技(深圳)有限公司<br>Meiyilian electronic technology(shenzhen)Co.,Ltd. |  |
| GENERAL TOLERANCE<br>(UNLESS SPECIFIED)<br>≤10 ±0.1<br><10~≤20 ±0.15<br><20~≤50 ±0.3<br>Angle ±1°         |    | 单位<br>UNIT: mm<br>比例<br>SCALE: 1: 1<br>SIZE: A4<br>SHEET: 1 OF 1  | 名称<br>PART NAME<br>TLA-3F直式插头(不带护套式尾帽)<br>TLA-3F Straight Plug<br>(without jacketed tail cap)<br><br>型号<br>PART NAME<br>TLA. 3F. 302. CLAD82 |
| REV/版本  | A1 | https://www.myconnector.com/  | https://www.myconnector.com/   |