

REV/版本	DESCRIPTION/变更内容	DATE/日期	DRAWN BY/绘图

1. Product main performance/产品主要性能指标:

Operating Temperature/工作温度 : -55°C~200°C
 Humidity(max)/最大潮湿 : <=95% [at 60 deg C / 140 F]
 Shielding /屏蔽性能 : 75dB(10MHz) 40dB(1GHz)
 Salt Spray Corrosion/盐雾 : 96hr
 P op (max)/最大环境压力 : 60 bar (870 psi)

Mechanical data/机械特性:

Vibration/振动 : 15g[10Hz~2000Hz]
 Shock Resistance/冲击 : 100g[6ms]
 Endurance (Shell)/机械寿命 : 5000+

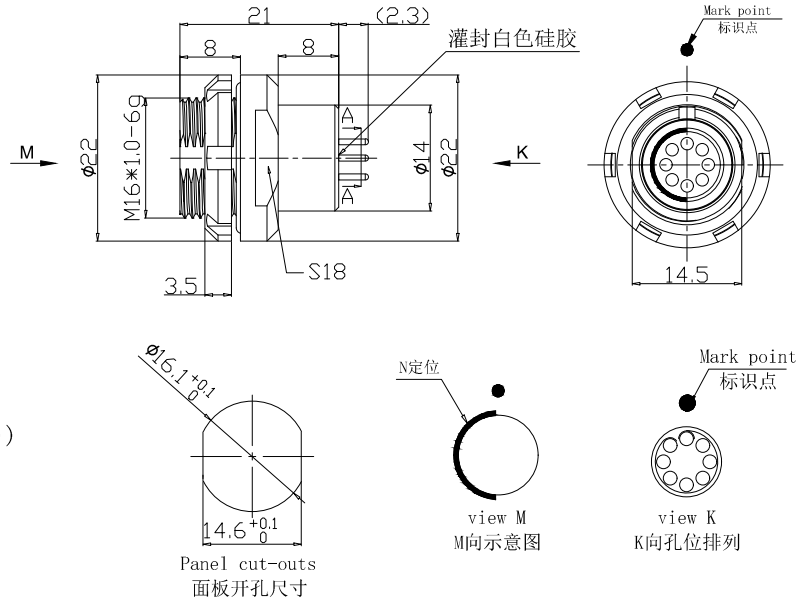
2. 电气性能


Insert Configuration/针芯配置:2F.308 8Low Voltage
 Pin Size/接触件直径:∅0.9mm
 Contact resistance接触电阻:≤9mΩ
 Insulation resistance/绝缘电阻:5000MΩ (测试电压500V(DC))
 Withstand voltage/耐电压:1000V(AC)
 Rated working current额定工作电流:10.0A

Other Specification/其它规格:

Contact PIN/接触体 : Gold plated Tin bronze/锡青铜镀金
 Housing Material/外壳材质 : black chrome plated brass/铜镀黑铬
 Other metal spare parts/其余金属件 : Nickel plated brass/铜镀镍
 Insulator material/绝缘材料: PPS
 IP Rating/防护等级 : IP68(插合状态)

*ALL MATERIALS ARE RoHS COMPLIANT/所有材料均符合RoHS要求.



DRAWN BY: 绘图:PD03 2024.05.28		 美易连电子科技(深圳)有限公司 Meiyilian electronic technology(shenzhen)Co.,Ltd.	名称		ZLN-2F固定式插座 ZLN-2F Fixed socket	
CHECKED BY: 审核:Z01 2024.05.28			单位	比例	PART NAME	型号
APPROVED BY: 核准:PD05 2024.05.28			UNT: mm	SCALE: 1: 1		
GENERAL TOLERANCE (UNLESS SPECIFIED)		FIRST ANGLE PROJECTION		SIZE: A4	PART NAME	
≤10 ±0.1		REV/版本		SHEET: 1 OF 1		
<10° ≤20 ±0.15		A1		ZLN. 2F. 308. KLL-2B		
<20° ≤50 ±0.3						
AngIe ±1°						