

REV/版本	DESCRIPTION/变更内容	DATE/日期	DRAWN BY/绘图

1. Product main performance/产品主要性能指标:

Operating Temperature/工作温度 : -55°C~200°C  
 Humidity(max)/最大潮湿 : <=95% [at 60 deg C / 140 F]  
 Shielding /屏蔽性能 : 75dB(10MHz) 40dB(1GHz)  
 Salt Spray Corrosion/盐雾 : 96hr  
 P op (max)/最大环境压力 : 60 bar (870 psi)

Mechanical data/机械特性:

Vibration/振动 : 15g[10Hz~2000Hz]  
 Shock Resistance/冲击 : 100g[6ms]  
 Endurance (Shell)/机械寿命 : 5000+

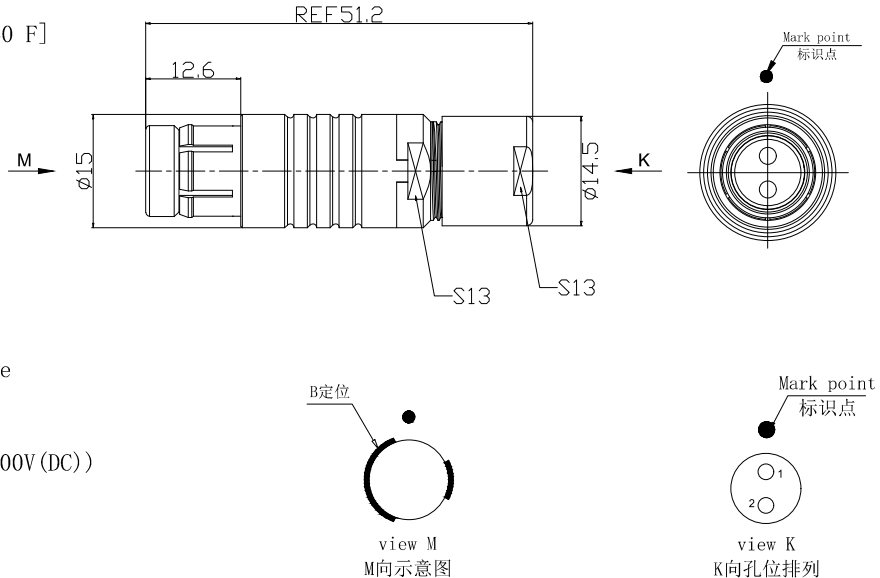
2. 电气性能

Insert Configuration/针芯配置: 2F.302 2Low Voltage  
 Pin Size/接触件直径:  $\phi 2.0\text{mm}$   
 Contact resistance接触电阻:  $\leq 3.5\text{m}\Omega$   
 Insulation resistance/绝缘电阻:  $5000\text{M}\Omega$  (测试电压500V(DC))  
 Withstand voltage/耐电压:  $1000\text{V(AC)}$   
 Rated working current额定工作电流:  $30.0\text{A}$   
 Cable/配接电缆:  $\phi 6.1\text{mm}-\phi 7.0\text{mm}$

Other Specification/其它规格:

Contact PIN/接触体 : Gold plated Tin bronze/锡青铜镀金  
 Housing Material/外壳材质 : Pearl-plated chrome brass/铜镀珍珠铬  
 Other metal spare parts/其余金属件 : Nickel plated brass/铜镀镍  
 Insulator material/绝缘材料: PPS  
 IP Rating/防护等级 : IP68(插合状态)

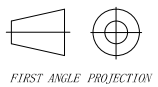
\*ALL MATERIALS ARE RoHS COMPLIANT/所有材料均符合RoHS要求.



美易连电子科技(深圳)有限公司  
 Meiyilian electronic technology(shenzhen)Co.,Ltd.

DRAWN BY:  
 绘图: PD03 2024.05.28  
 CHECKED BY:  
 审核: Z01 2024.05.28  
 APPROVED BY:  
 核准: PD05 2024.05.28

GENERAL TOLERANCE (UNLESS SPECIFIED)	$\leq 10$ $\pm 0.1$
$< 10^\circ \leq 20$	$\pm 0.15$
$< 20^\circ \leq 50$	$\pm 0.3$
Angle	$\pm 1^\circ$



单位 UNIT: mm	名称 PART NAME	TGB-2F直式插头(不带护套式尾帽) TGB-2F Straight Plug (without jacketed tail cap)
比例 SCALE: 1: 1	型号 PART NAME	TGB. 2F. 302. CLAD72
SIZE: A4		
REV/版本 A1	SHEET: 1 OF 1	