

REV/版本	DESCRIPTION/变更内容	DATE/日期	DRAWN BY/绘图

1. Product main performance/产品主要性能指标:

Operating Temperature/工作温度 : -55°C~200°C  
 Humidity(max)/最大潮湿 : <=95% [at 60 deg C / 140 F]  
 Shielding /屏蔽性能 : 75dB(10MHz) 40dB(1GHz)  
 Salt Spray Corrosion/盐雾 : 96hr  
 P op (max)/最大环境压力 : 60 bar (870 psi)

Mechanical data/机械特性:

Vibration/振动 : 15g[10Hz~2000Hz]  
 Shock Resistance/冲击 : 100g[6ms]  
 Endurance (Shell)/机械寿命 : 5000+

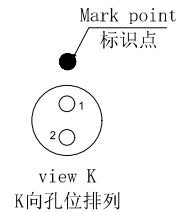
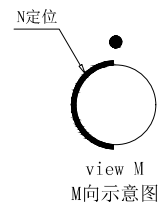
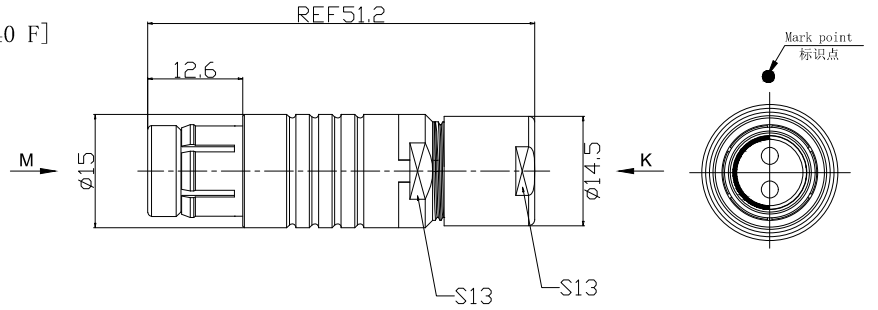
2. 电气性能


Insert Configuration/针芯配置: 2F.302 2Low Voltage  
 Pin Size/接触件直径:  $\phi 2.0$ mm  
 Contact resistance接触电阻:  $\leq 3.5$ m $\Omega$   
 Insulation resistance/绝缘电阻: 5000M $\Omega$  (测试电压500V(DC))  
 Withstand voltage/耐电压: 1000V(AC)  
 Rated working current额定工作电流: 30.0A  
 Cable/配接电缆:  $\phi 6.1$ mm- $\phi 7.0$ mm

Other Specification/其它规格:

Contact PIN/接触体 : Gold plated Tin bronze/锡青铜镀金  
 Housing Material/外壳材质 : Pearl-plated chrome brass/铜镀珍珠铬  
 Other metal spare parts/其余金属件 : Nickel plated brass/铜镀镍  
 Insulator material/绝缘材料: PPS  
 IP Rating/防护等级 : IP68(插合状态)

\*ALL MATERIALS ARE RoHS COMPLIANT/所有材料均符合RoHS要求.



DRAWN BY: 绘图: PD03 2024.05.28		 <p>美易连电子科技(深圳)有限公司 Meiyilian electronic technology(shenzhen)Co.,Ltd.</p>	名称 PART NAME		TGN-2F直式插头(不带护套式尾帽) TGN-2F Straight Plug (without jacketed tail cap)	
CHECKED BY: 审核: Z01 2024.05.28			比例 SCALE: 1: 1		型号 PART NAME	TGN. 2F. 302. CLAD72
APPROVED BY: 核准: PD05 2024.05.28			SIZE: A4			SHEET: 1 OF 1
<p>GENERAL TOLERANCE (UNLESS SPECIFIED)</p> <p><math>\leq 10</math> <math>\pm 0.1</math></p> <p><math>&lt; 10^{\circ} \leq 20</math> <math>\pm 0.15</math></p> <p><math>&lt; 20^{\circ} \leq 50</math> <math>\pm 0.3</math></p> <p>Angle <math>\pm 1^{\circ}</math></p>		REV/版本	A1			