

|        |                  |         |             |
|--------|------------------|---------|-------------|
| REV/版本 | DESCRIPTION/变更内容 | DATE/日期 | DRAWN BY/绘图 |
|        |                  |         |             |

1. Product main performance/产品主要性能指标:

Operating Temperature/工作温度 : -55°C~200°C  
 Humidity(max)/最大潮湿 : <=95% [at 60 deg C / 140 F]  
 Shielding /屏蔽性能 : 75dB(10MHz) 40dB(1GHz)  
 Salt Spray Corrosion/盐雾 : 96hr  
 P op (max)/最大环境压力 : 60 bar (870 psi)

Mechanical data/机械特性:

Vibration/振动 : 15g[10Hz~2000Hz]  
 Shock Resistance/冲击 : 100g[6ms]  
 Endurance (Shell)/机械寿命 : 5000+

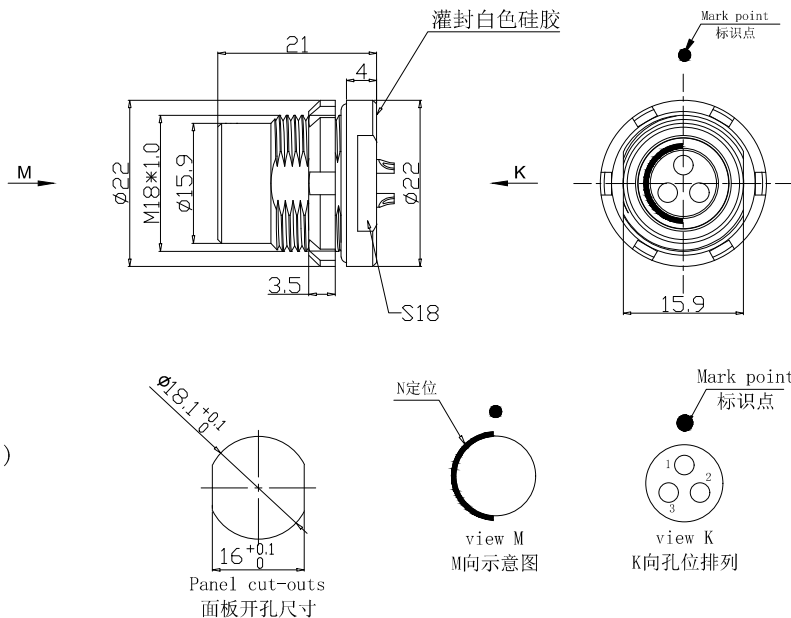
2. 电气性能

Insert Configuration/针芯配置:2F.303 3Low Voltage  
 Pin Size/接触件直径:Ø1.6mm  
 Contact resistance接触电阻:≤4mΩ  
 Insulation resistance/绝缘电阻:5000MΩ (测试电压500V(DC))  
 Withstand voltage/耐电压:1000V(AC)  
 Rated working current额定工作电流:17.0A

Other Specification/其它规格:

Contact PIN/接触体 : Gold plated Tin bronze/锡青铜镀金  
 Housing Material/外壳材质 : black chrome plated brass/铜镀黑铬  
 Other metal spare parts/其余金属件 : Nickel plated brass/铜镀镍  
 Insulator material/绝缘材料: PPS  
 IP Rating/防护等级 : IP68(插入状态)

\*ALL MATERIALS ARE RoHS COMPLIANT/所有材料均符合RoHS要求.



Panel cut-outs  
面板开孔尺寸

view M  
M向示意图

view K  
K向孔位排列

DRAWN BY:  
绘图:PDO3 2024.05.28  
 CHECKED BY:  
审核:Z01 2024.05.28  
 APPROVED BY:  
核准:PDO5 2024.05.28



美易连电子科技(深圳)有限公司  
 Meiyilian electronic technology(shenzhen)Co.,Ltd.

|   |       |
|---|-------|
| GENERAL TOLERANCE<br>(UNLESS SPECIFIED) |       |
| ≤10                                     | ±0.1  |
| <10~≤20                                 | ±0.15 |
| <20~≤50                                 | ±0.3  |
| Angle                                   | ±1°   |



|        |    |               |
|--------|----|---------------|
| REV/版本 | A1 | SHEET: 1 OF 1 |
|--------|----|---------------|

|                   |                 |                                    |
|-------------------|-----------------|------------------------------------|
| 单位<br>UNT: mm     | 名称<br>PART NAME | HEN-2F固定式插座<br>HEN-2F Fixed socket |
| 比例<br>SCALE: 1: 1 | 型号<br>PART NAME | HEN. 2F. 303. KLL                  |
| SIZE: A4          |                 |                                    |