

REV/版本	DESCRIPTION/变更内容	DATE/日期	DRAWN BY/绘图

1. Product main performance/产品主要性能指标:

Operating Temperature/工作温度 : -55°C~200°C
 Humidity(max)/最大潮湿 : <=95% [at 60 deg C / 140 F]
 Shielding /屏蔽性能 : 75dB(10MHz) 40dB(1GHz)
 Salt Spray Corrosion/盐雾 : 96hr
 P op (max)/最大环境压力 : 60 bar (870 psi)

Mechanical data/机械特性:

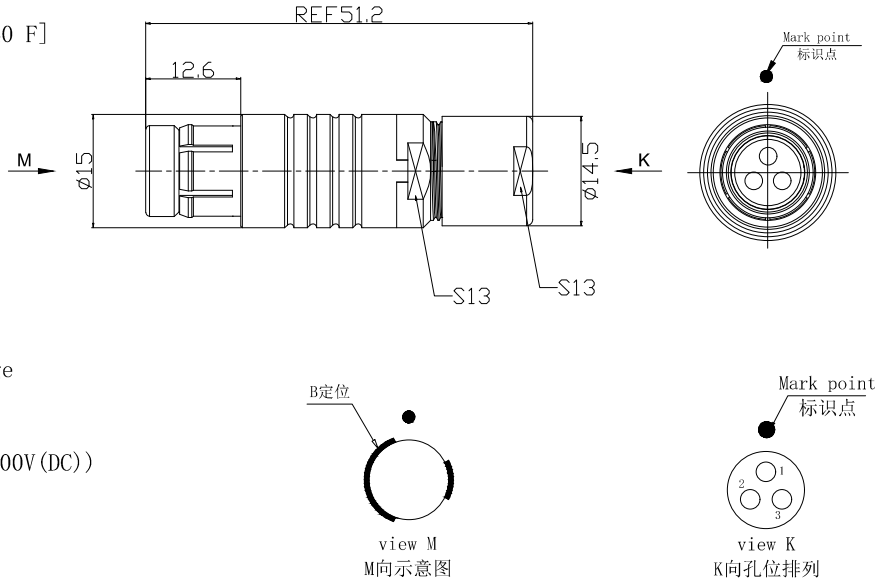
Vibration/振动 : 15g[10Hz~2000Hz]
 Shock Resistance/冲击 : 100g[6ms]
 Endurance (Shell)/机械寿命 : 5000+

2. 电气性能

Insert Configuration/针芯配置:2F.303 3Low Voltage
 Pin Size/接触件直径:Ø1.6mm
 Contact resistance接触电阻:≤4mΩ
 Insulation resistance/绝缘电阻:5000MΩ (测试电压500V(DC))
 Withstand voltage/耐电压:1000V(AC)
 Rated working current额定工作电流:17.0A
 Cable/配接电缆:Ø4.1mm-Ø5.0mm

Other Specification/其它规格:

Contact PIN/接触体 : Gold plated Tin bronze/锡青铜镀金
 Housing Material/外壳材质 : black chrome plated brass/铜镀铬铬
 Other metal spare parts/其余金属件 : Nickel plated brass/铜镀镍
 Insulator material/绝缘材料: PPS
 IP Rating/防护等级 : IP68(插合状态)
 *ALL MATERIALS ARE RoHS COMPLIANT/所有材料均符合RoHS要求.



Other Specification/其它规格:

<p>DRAWN BY: 绘图:PD03 2024.05.28</p> <p>CHECKED BY: 审核:Z01 2024.05.28</p> <p>APPROVED BY: 核准:PD05 2024.05.28</p>	<p>美易连电子科技(深圳)有限公司 Meiyilian electronic technology(shenzhen)Co.,Ltd.</p>	<p>名称 PART NAME</p> <p>TGB-2F直式插头(不带护套式尾帽) TGB-2F Straight Plug (without jacketed tail cap)</p>
<p>GENERAL TOLERANCE (UNLESS SPECIFIED)</p> <p>≤10 ±0.1 <10~≤20 ±0.15 <20~≤50 ±0.3 Angle ±1°</p>	<p>单位 UNIT: mm</p> <p>比例 SCALE: 1: 1</p> <p>型号 PART NAME</p> <p>TGB. 2F. 303. KLD52</p>	<p>REV/版本</p> <p>A1</p> <p>SHEET: 1 OF 1</p>