

|        |                  |         |             |
|--------|------------------|---------|-------------|
| REV/版本 | DESCRIPTION/变更内容 | DATE/日期 | DRAWN BY/绘图 |
|        |                  |         |             |

1. Product main performance/产品主要性能指标:

Operating Temperature/工作温度 : -55°C~200°C  
 Humidity(max)/最大潮湿 : <=95% [at 60 deg C / 140 F]  
 Shielding /屏蔽性能 : 75dB(10MHz) 40dB(1GHz)  
 Salt Spray Corrosion/盐雾 : 96hr  
 P op (max)/最大环境压力 : 60 bar (870 psi)

Mechanical data/机械特性:

Vibration/振动 : 15g[10Hz~2000Hz]  
 Shock Resistance/冲击 : 100g[6ms]  
 Endurance (Shell)/机械寿命 : 5000+

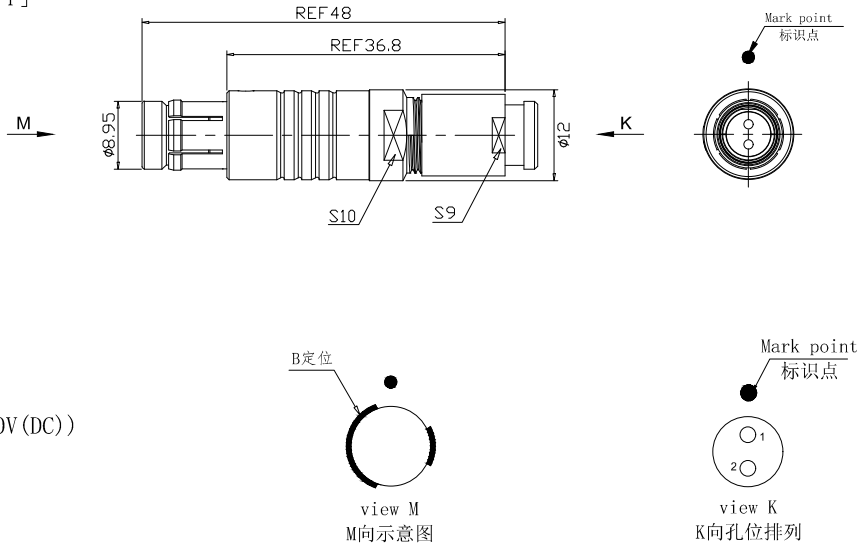
2. 电气性能

Insert Configuration/针芯配置:1F.302 2Low Voltage  
 Pin Size/接触件直径:Ø1.3mm  
 Contact resistance接触电阻:≤5mΩ  
 Insulation resistance/绝缘电阻:5000MΩ (测试电压500V(DC))  
 Withstand voltage/耐电压:1000V(AC)  
 Rated working current额定工作电流:12.0A  
 Cable/配接电缆:Ø2.4mm-Ø3.3mm

Other Specification/其它规格:

Contact PIN/接触体 :Gold-Tin bronze plating/锡青铜镀金  
 Housing Material/外壳材质 :Pearl-plated chrome brass/黄铜镀珍珠铬  
 Other metal spare parts/其余金属件 : nickel plated brass/黄铜镀镍  
 Insulator material/绝缘材料: PPS  
 IP Rating/防护等级 :IP68(尾部密封防护处理)

\*ALL MATERIALS ARE RoHS COMPLIANT/所有材料均符合RoHS要求.



A

A

B

B

C

C

D

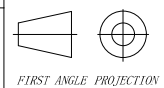
D

|                         |            |
|-------------------------|------------|
| DRAWN BY:<br>绘图:PDO3    | 2024.05.28 |
| CHECKED BY:<br>审核:Z01   | 2024.05.28 |
| APPROVED BY:<br>核准:PDO5 | 2024.05.28 |



美易连电子科技(深圳)有限公司  
 Meiyilian electronic technology(shenzhen)Co.,Ltd.

|                                      |       |
|--------------------------------------|-------|
| GENERAL TOLERANCE (UNLESS SPECIFIED) |       |
| ≤10                                  | ±0.1  |
| <10~≤20                              | ±0.15 |
| <20~≤50                              | ±0.3  |
| Angle                                | ±1°   |



|                   |
|-------------------|
| 单位<br>UNIT: mm    |
| 比例<br>SCALE: 1: 1 |
| SIZE: A4          |

|                 |
|-----------------|
| 名称<br>PART NAME |
|-----------------|

TGB-1F直式插头(带护套式尾帽)  
 TGB-1F Straight Plug  
 (with jacketed tail cap)

|        |    |
|--------|----|
| REV/版本 | A1 |
|--------|----|

|               |
|---------------|
| SHEET: 1 OF 1 |
|---------------|

|                 |
|-----------------|
| 型号<br>PART NAME |
|-----------------|

TGB. 1F. 302. CLAD35Z