

REV/版本	DESCRIPTION/变更内容	DATE/日期	DRAWN BY/绘图

1. Product main performance/产品主要性能指标:

Operating Temperature/工作温度 : -55℃~200℃  
Humidity(max)/最大潮湿 : <=95% [at 60 deg C / 140 F]  
Shielding /屏蔽性能 : 75dB(10MHz) 40dB(1GHz)  
Salt Spray Corrosion/盐雾 : 96hr  
P op (max)/最大环境压力 : 60 bar (870 psi)

Mechanical data/机械特性:

Vibration/振动 : 15g[10Hz~2000Hz]  
Shock Resistance/冲击 : 100g[6ms]  
Endurance (Shell)/机械寿命 : 5000+

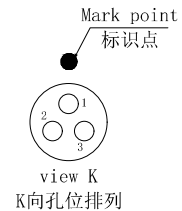
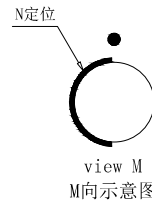
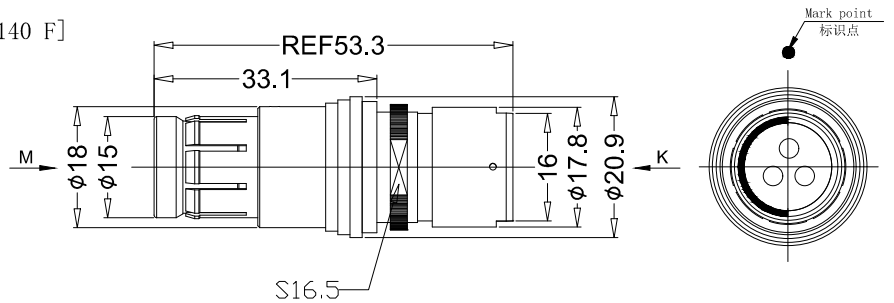
2. 电气性能


Insert Configuration/针芯配置:3F.303 3Low Voltage  
Pin Size/接触件直径:φ2.0mm  
Contact resistance接触电阻:≤3.5mΩ  
Insulation resistance/绝缘电阻:5000MΩ (测试电压500V(DC))  
Withstand voltage/耐电压:1500V(AC)  
Rated working current额定工作电流:25.0A  
Cable/配接电缆:φ9.1mm-φ10.0mm

Other Specification/其它规格:

Contact PIN/接触体 : Gold plated Tin bronze/锡青铜镀金  
Housing Material/外壳材质 : Pearl-plated chrome brass/铜镀珍珠铬  
Other metal spare parts/其余金属件 : Nickel plated brass/铜镀镍  
Insulator material/绝缘材料: PPS  
IP Rating/防护等级 : IP68(插合状态)

\*ALL MATERIALS ARE RoHS COMPLIANT/所有材料均符合RoHS要求.



DRAWN BY: 绘图:PD03 2024.05.28		 美易连电子科技(深圳)有限公司 Meiyilian electronic technology(shenzhen)Co.,Ltd.	名称		TLN-3F直式插头(不带护套式尾帽)
CHECKED BY: 审核:Z01 2024.05.28			UNIT: mm	PART NAME	TLN-3F Straight Plug (without jacketed tail cap)
APPROVED BY: 核准:PD05 2024.05.28			SCALE: 1:1	型号	TLN. 3F. 303. CLAD102
GENERAL TOLERANCE (UNLESS SPECIFIED)		FIRST ANGLE PROJECTION	SIZE: A4	SHEET: 1 OF 1	
≤10 ±0.1			REV/版本	A1	
<10° ≤20 ±0.15					
<20° ≤50 ±0.3					
Angle ±1°					