

REV/版本	DESCRIPTION/变更内容	DATE/日期	DRAWN BY/绘图

1. Product main performance/产品主要性能指标:

Operating Temperature/工作温度 : -55℃~200℃  
Humidity(max)/最大潮湿 : <=95% [at 60 deg C / 140 F]  
Shielding /屏蔽性能 : 75dB(10MHz) 40dB(1GHz)  
Salt Spray Corrosion/盐雾 : 96hr  
P op (max)/最大环境压力 : 60 bar (870 psi)

Mechanical data/机械特性:

Vibration/振动 : 15g[10Hz~2000Hz]  
Shock Resistance/冲击 : 100g[6ms]  
Endurance (Shell)/机械寿命 : 5000+

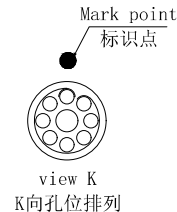
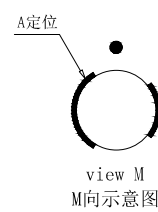
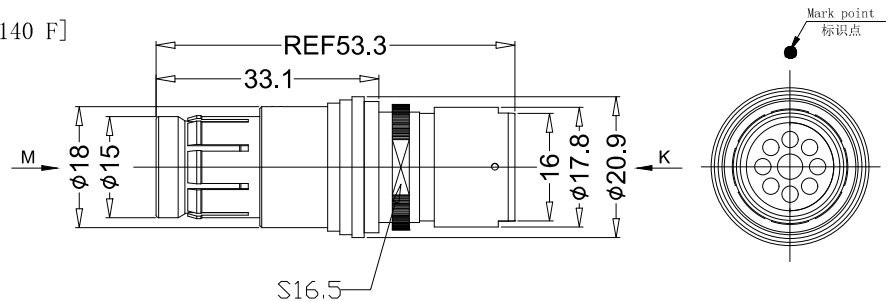
2. 电气性能


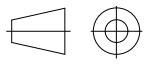
Insert Configuration/针芯配置:3F.309 9Low Voltage  
Pin Size/接触件直径:φ2.0mm/φ1.3mm  
Contact resistance接触电阻:≤3.5mΩ/5mΩ  
Insulation resistance/绝缘电阻:5000MΩ (测试电压500V(DC))  
Withstand voltage/耐电压:1050V(AC)  
Rated working current额定工作电流:15.0A/6.0A  
Cable/配接电缆:φ6.1mm-φ7.0mm

Other Specification/其它规格:

Contact PIN/接触体 : Gold plated Tin bronze/锡青铜镀金  
Housing Material/外壳材质 : black chrome plated brass/铜镀黑铬  
Other metal spare parts/其余金属件 : Nickel plated brass/铜镀镍  
Insulator material/绝缘材料: PPS  
IP Rating/防护等级 : IP68(插合状态)

\*ALL MATERIALS ARE RoHS COMPLIANT/所有材料均符合RoHS要求.



DRAWN BY: 绘图:PD03 2024.05.28		 美易连电子科技(深圳)有限公司 Meiyilian electronic technology(shenzhen)Co.,Ltd.	名称		TLA-3F直式插头(不带护套式尾帽)
CHECKED BY: 审核:Z01 2024.05.28			UNIT: mm	PART NAME	TLA-3F Straight Plug (without jacketed tail cap)
APPROVED BY: 核准:PD05 2024.05.28			SCALE: 1: 1	型号	TLA. 3F. 309. Klad72-3B
GENERAL TOLERANCE (UNLESS SPECIFIED) ≤10 ±0.1 <10°~≤20 ±0.15 <20°~≤50 ±0.3 Angle ±1°		 FIRST ANGLE PROJECTION	SIZE: A4	SHEET: 1 OF 1	REV/版本
<a href="https://www.myconnector.com/">https://www.myconnector.com/</a>		A1	<a href="https://www.myconnector.com/">https://www.myconnector.com/</a>		