

|        |                  |         |             |
|--------|------------------|---------|-------------|
| REV/版本 | DESCRIPTION/变更内容 | DATE/日期 | DRAWN BY/绘图 |
|        |                  |         |             |

1. Product main performance/产品主要性能指标:

Operating Temperature/工作温度 : -55℃~200℃  
 Humidity(max)/最大潮湿 : <=95% [at 60 deg C / 140 F]  
 Shielding /屏蔽性能 : 75dB(10MHz) 40dB(1GHz)  
 Salt Spray Corrosion/盐雾 : 96hr  
 P op (max)/最大环境压力 : 60 bar (870 psi)

Mechanical data/机械特性:

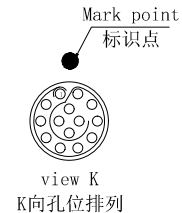
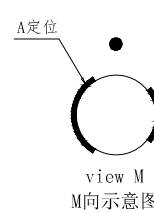
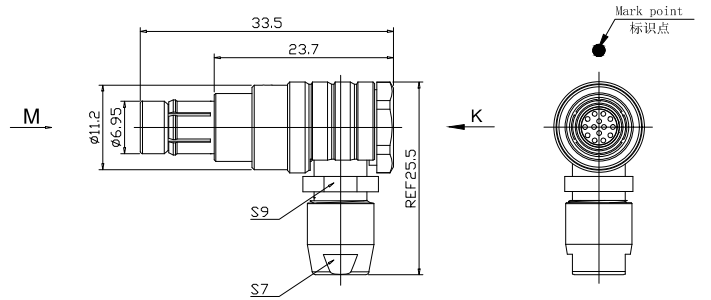
Vibration/振动 : 15g[10Hz~2000Hz]  
 Shock Resistance/冲击 : 100g[6ms]  
 Endurance (Shell)/机械寿命 : 5000+

2. 电气性能

Insert Configuration/针芯配置:1F.314 14Low Voltage  
 Pin Size/接触件直径:φ0.5mm  
 Contact resistance接触电阻:≤15mΩ  
 Insulation resistance/绝缘电阻:5000MΩ (测试电压500V(DC))  
 Withstand voltage/耐电压:400V(AC)  
 Rated working current额定工作电流:2.0A  
 Cable/配接电缆:φ6.1mm-φ7.0mm

Other Specification/其它规格:

Contact PIN/接触体 :Gold-Tin bronze plating/锡青铜镀金  
 Housing Material/外壳材质 :Pearl-plated chrome brass/黄铜镀珍珠铬  
 Other metal spare parts/其余金属件 : nickel plated brass/黄铜镀镍  
 Insulator material/绝缘材料: PPS  
 IP Rating/防护等级 :IP68(尾部密封防护处理)  
**\*ALL MATERIALS ARE RoHS COMPLIANT/所有材料均符合RoHS要求.**



A

B

C


D

A

B

C

D

|   |    |   |   |
|---|----|---|---|
| DRAWN BY:<br>绘图:PD03 2024.05.28<br>CHECKED BY:<br>审核:Z01 2024.05.28<br>APPROVED BY:<br>核准:PD05 2024.05.28 |    |  美易连电子科技(深圳)有限公司<br>Meiyilian electronic technology(shenzhen)Co.,Ltd. |   |
| GENERAL TOLERANCE<br>(UNLESS SPECIFIED)<br>≤10 ±0.1<br><10° ≤20 ±0.15<br><20° ≤50 ±0.3<br>Angle ±1°       |    | 单位<br>UNIT: mm<br>比例<br>SCALE: 1: 1<br>型号<br>PART NAME<br>TWA-1F 弯角插头 (不带护套式尾帽)<br>TWA-1F Angle Plug<br>(without jacketed tail cap)                       | 名称<br>PART NAME<br>TWA. 1F. 314. CLAD72 |
| REV/版本  | A1 | SHEET: 1 OF 1   |   |