

REV/版本	DESCRIPTION/变更内容	DATE/日期	DRAWN BY/绘图

1. Product main performance/产品主要性能指标:

Operating Temperature/工作温度 : -55°C~200°C  
 Humidity(max)/最大潮湿 : <=95% [at 60 deg C / 140 F]  
 Shielding /屏蔽性能 : 75dB(10MHz) 40dB(1GHz)  
 Salt Spray Corrosion/盐雾 : 96hr  
 P op (max)/最大环境压力 : 60 bar (870 psi)

Mechanical data/机械特性:

Vibration/振动 : 15g[10Hz~2000Hz]  
 Shock Resistance/冲击 : 100g[6ms]  
 Endurance (Shell)/机械寿命 : 5000+

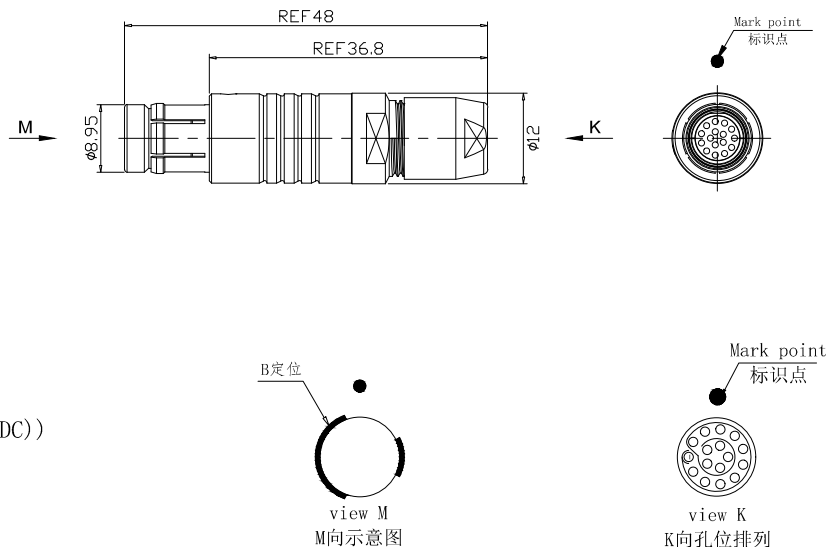
2. 电气性能

Insert Configuration/针芯配置:1F.316 16Low Voltage  
 Pin Size/接触件直径:φ0.5mm  
 Contact resistance接触电阻:≤15mΩ  
 Insulation resistance/绝缘电阻:5000MΩ (测试电压500V(DC))  
 Withstand voltage/耐电压:350V(AC)  
 Rated working current额定工作电流:1.5A  
 Cable/配接电缆:φ4.1mm-φ5.0mm

Other Specification/其它规格:

Contact PIN/接触体 :Gold-Tin bronze plating/锡青铜镀金  
 Housing Material/外壳材质 :black chrome plated brass/黄铜镀黑铬  
 Other metal spare parts/其余金属件 : nickel plated brass/黄铜镀镍  
 Insulator material/绝缘材料: PPS  
 IP Rating/防护等级 :IP68(尾部密封防护处理)

\*ALL MATERIALS ARE RoHS COMPLIANT/所有材料均符合RoHS要求.



Other Specification/其它规格:

<p>GENERAL TOLERANCE (UNLESS SPECIFIED)</p> <p>≤10 ±0.1</p> <p>&lt;10~≤20 ±0.15</p> <p>&lt;20~≤50 ±0.3</p> <p>Angle ±1°</p>	<p>FIRST ANGLE PROJECTION</p>	<p>单位</p> <p>UNIT: mm</p>	<p>名称</p> <p>PART NAME</p>	<p>TGB-1F 直式插头 (不带护套式尾帽)</p> <p>TGB-1F Straight Plug (without jacketed tail cap)</p>
		<p>比例</p> <p>SCALE: 1: 1</p>	<p>型号</p> <p>PART NAME</p>	
<p>REV/版本</p> <p>A1</p>	<p>SHEET: 1 OF 1</p>	<p>美易连电子科技 (深圳) 有限公司</p> <p>Meiyilian electronic technology (shenzhen) Co., Ltd.</p>	<p>TGB. 1F. 316. K1AD52</p>	