

|        |                  |         |             |
|--------|------------------|---------|-------------|
| REV/版本 | DESCRIPTION/变更内容 | DATE/日期 | DRAWN BY/绘图 |
|        |                  |         |             |

I. Product main performance/产品主要性能指标:

Operating Temperature/工作温度 : -55°C~200°C  
 Humidity(max)/最大潮湿 : <=95% [at 60 deg C / 140 F]  
 Shielding /屏蔽性能 : 75dB(10MHz) 40dB(1GHz)  
 Salt Spray Corrosion/盐雾 : 96hr  
 P op (max)/最大环境压力 : 60 bar (870 psi)

Mechanical data/机械特性:

Vibration/振动 : 15g[10Hz~2000Hz]  
 Shock Resistance/冲击 : 100g[6ms]  
 Endurance (Shell)/机械寿命 : 5000+

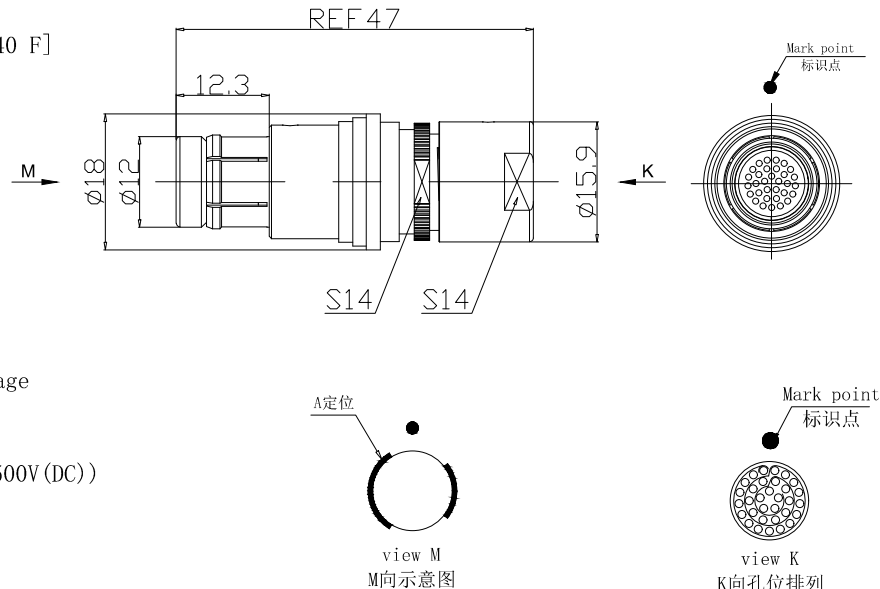
2. 电气性能

Insert Configuration/针芯配置:2F.332 32Low Voltage  
 Pin Size/接触件直径:Ø0.5mm  
 Contact resistance接触电阻:≤15mΩ  
 Insulation resistance/绝缘电阻:5000MΩ (测试电压500V(DC))  
 Withstand voltage/耐电压:750V(AC)  
 Rated working current额定工作电流:1.5A  
 Cable/配接电缆:Ø6.1mm-Ø7.0mm

Other Specification/其它规格:

Contact PIN/接触体 : Gold plated Tin bronze/锡青铜镀金  
 Housing Material/外壳材质 : Pearl-plated chrome brass/铜镀珍珠铬  
 Other metal spare parts/其余金属件 : Nickel plated brass/铜镀镍  
 Insulator material/绝缘材料: PPS  
 IP Rating/防护等级 : IP68(插合状态)

\*ALL MATERIALS ARE RoHS COMPLIANT/所有材料均符合RoHS要求.



A

B

C


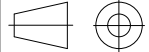
D

A

B

C

D

|   |  |   |                   |                 |  |                      |
|---|--|---|-------------------|-----------------|--|----------------------|
| DRAWN BY:<br>绘图:PDO3 2024.05.28   |  |  美易连电子科技(深圳)有限公司<br>Meiyilian electronic technology(shenzhen)Co.,Ltd. | 名称<br>PART NAME   |                 | TLA-2F直式插头(不带护套式尾帽)<br>TLA-2F Straight Plug<br>(without jacketed tail cap) |                      |
| CHECKED BY:<br>审核:Z01 2024.05.28  |  |   | 比例<br>SCALE: 1: 1 | 型号<br>PART NAME |  | TLA. 2F. 332. CLAD72 |
| APPROVED BY:<br>核准:PDO5 2024.05.28  |  |   | SIZE: A4          | SHEET: 1 OF 1   |  |                      |
| GENERAL TOLERANCE<br>(UNLESS SPECIFIED)<br>≤10 ±0.1<br><10° ≤20 ±0.15<br><20° ≤50 ±0.3<br>Angle ±1° |  | <br>FIRST ANGLE PROJECTION   | REV/版本            | A1              |  |                      |