

| REV/版本 | DESCRIPTION/变更内容 | DATE/日期 | DRAWN BY/绘图 |
|--------|------------------|---------|-------------|
|        |                  |         |             |

1. Product main performance/产品主要性能指标:

Operating Temperature/工作温度 : -55°C~200°C  
 Humidity(max)/最大潮湿 : <=95% [at 60 deg C / 140 F]  
 Shielding /屏蔽性能 : 75dB(10MHz) 40dB(1GHz)  
 Salt Spray Corrosion/盐雾 : 96hr  
 P op (max)/最大环境压力 : 60 bar (870 psi)

Mechanical data/机械特性:

Vibration/振动 : 15g[10Hz~2000Hz]  
 Shock Resistance/冲击 : 100g[6ms]  
 Endurance (Shell)/机械寿命 : 5000+

2. 电气性能

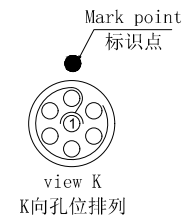
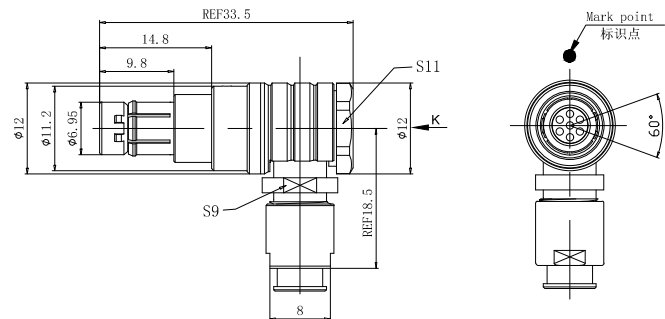
Insert Configuration/针芯配置:0U.307 7Low Voltage  
 Pin Size/接触件直径:Ø0.5mm  
 Contact resistance接触电阻:≤15mΩ  
 Insulation resistance/绝缘电阻:5000MΩ (测试电压500V(DC))  
 Withstand voltage/耐电压:500V(AC)  
 Rated working current额定工作电流:2.5A  
 Cable/配接电缆:Ø4.1mm-Ø5.0mm

Other Specification/其它规格:

Contact PIN/接触体 :Gold-Tin bronze plating/锡青铜镀金  
 Housing Material/外壳材质 :Pearl-plated chrome brass/黄铜镀珍珠铬  
 Other metal spare parts/其余金属件 : nickel plated brass/黄铜镀镍

Insulator material/绝缘材料: PPS  
 IP Rating/防护等级 :IP68(插合状态)

\*ALL MATERIALS ARE RoHS COMPLIANT/所有材料均符合RoHS要求.



|   |  |   |                   |                 |   |                    |
|---|--|---|-------------------|-----------------|---|--------------------|
| DRAWN BY:<br>绘图:PDO3 2024.05.28         |  |  <p>美易连电子科技(深圳)有限公司<br/>Meiyilian electronic technology(shenzhen)Co.,Ltd.</p> | 名称<br>PART NAME   |                 | TWB-0U弯角插头(带护套式尾帽)<br>TWB-0U Angle Plug<br>(with jacketed tail cap) |                    |
| CHECKED BY:<br>审核:Z01 2024.05.28        |  |   | 单位<br>UNT: mm     | 型号<br>PART NAME |   | TWB.0U.307.CLAD52Z |
| APPROVED BY:<br>核准:PDO5 2024.05.28      |  |   | 比例<br>SCALE: 1: 1 | 尺寸<br>SIZE: A4  | SHEET: 1 OF 1   |                    |
| GENERAL TOLERANCE<br>(UNLESS SPECIFIED) |  | FIRST ANGLE PROJECTION  |                   | REV/版本          | A1  |                    |
| ≤10 ±0.1                                |  |   |                   |                 |   |                    |
| <10~≤20 ±0.15                           |  |   |                   |                 |   |                    |
| <20~≤50 ±0.3                            |  |   |                   |                 |   |                    |
| Angle ±1°                               |  |   |                   |                 |   |                    |