

| REV./版本 | DESCRIPTION/变更内容 | DATE/日期 | DRAWN BY/绘图 |
|---------|------------------|---------|-------------|
| | | | |

1. Product main performance/产品主要性能指标:
 Operating Temperature/工作温度: -55°C~125°C
 Humidity(max)/最大潮湿: <=95% [at 60 deg C / 140 F]
 Shielding /屏蔽性能: 75dB(10MHz) 40dB(1GHz)
 Salt Spray Corrosion/盐雾: 96hr
 P op (max)/最大环境压力: 60 bar (870 psi)

Mechanical data/机械特性:
 Vibration/振动: 15g[10Hz~2000Hz]
 Shock Resistance/冲击: 100g[6ms]
 Endurance (Shell)/机械寿命: 5000+

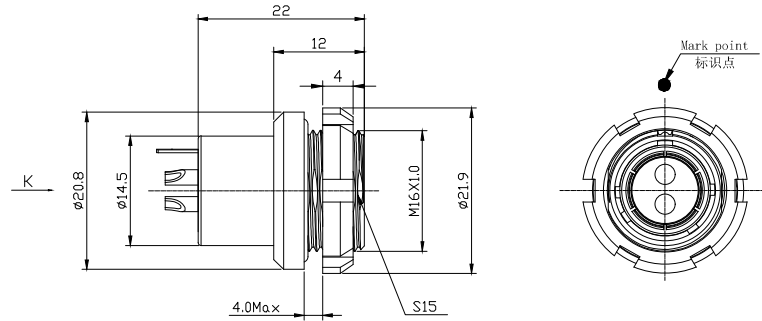
2. 电气性能


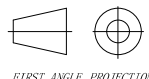
Insert Configuration/针芯配置: 2Y. 302 2Low Voltage
 Pin Size/接触件直径: $\phi 2.0\text{mm}$
 Contact resistance接触电阻: $\leq 3.5\text{m}\Omega$
 Insulation resistance/绝缘电阻: 5000M Ω (测试电压500V(DC))
 Withstand voltage/耐电压: 1000V(AC)
 Rated working current额定工作电流: 30.0A

Other Specification/其它规格:

Contact PIN/接触体: Gold plated Tin bronze/锡青铜镀金
 Housing Material/外壳材质: Gun color plated aluminium /铝合金镀枪色
 Other metal spare parts/其余金属件: Nickel plated brass/铜镀镍
 Glue filling type/灌胶类型: Transparent epoxy resin/透明环氧树脂
 Insulator material/绝缘材料: PPS
 IP Rating/防护等级: IP68(插合状态)

*ALL MATERIALS ARE RoHS COMPLIANT/所有材料均符合RoHS要求.



| | | | |
|--|----|---|--|
| DRAWN BY: 绘图: PD03 2024. 05. 28 | |  美易连电子科技(深圳)有限公司 Meiyilian electronic technology(shenzhen)Co., Ltd. | |
| CHECKED BY: 审核: Z01 2024. 05. 28 | | | |
| APPROVED BY: 核准: PD05 2024. 05. 28 | | | |
| GENERAL TOLERANCE (UNLESS SPECIFIED) $\leq 10 \pm 0.1$ $< 10^{\circ} \leq 20 \pm 0.15$ $< 20^{\circ} \leq 50 \pm 0.3$ $AngIe \pm 1^{\circ}$ | |  FIRST ANGLE PROJECTION | 单位 UNTT: mm 比例 SCALE: 1: 1 名称 PART NAME ZLA-2Y固定式插座 ZLA-2Y Fixed socket |
| REV/版本 | A1 | 型号 PART NAME ZLA. 2Y. 302. XLL | SHEET: 1 OF 1 |