

| REV/版本 | DESCRIPTION/变更内容 | DATE/日期 | DRAWN BY/绘图 |
|--------|------------------|---------|-------------|
| | | | |

1. Product main performance/产品主要性能指标:

Operating Temperature/工作温度 : -55°C~200°C
 Humidity(max)/最大潮湿 : <=95% [at 60 deg C / 140 F]
 Shielding /屏蔽性能 : 75dB(10MHz) 40dB(1GHz)
 Salt Spray Corrosion/盐雾 : 96hr
 P op (max)/最大环境压力 : 60 bar (870 psi)

Mechanical data/机械特性:

Vibration/振动 : 15g[10Hz~2000Hz]
 Shock Resistance/冲击 : 100g[6ms]
 Endurance (Shell)/机械寿命 : 5000+

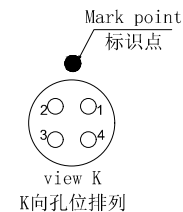
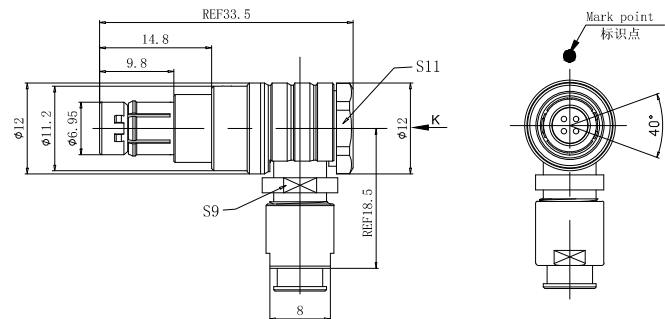
2. 电气性能

Insert Configuration/针芯配置:0U.304 4Low Voltage
 Pin Size/接触件直径:Ø0.7mm
 Contact resistance接触电阻:≤12.5mΩ
 Insulation resistance/绝缘电阻:5000MΩ (测试电压500V(DC))
 Withstand voltage/耐电压:750V(AC)
 Rated working current额定工作电流:7.0A
 Cable/配接电缆:Ø4.1mm-Ø5.0mm

Other Specification/其它规格:

Contact PIN/接触体 :Gold-Tin bronze plating/锡青铜镀金
 Housing Material/外壳材质 :Pearl-plated chrome brass/黄铜镀珍珠铬
 Other metal spare parts/其余金属件 : nickel plated brass/黄铜镀镍
 Insulator material/绝缘材料: PPS
 IP Rating/防护等级 :IP68(插合状态)

*ALL MATERIALS ARE RoHS COMPLIANT/所有材料均符合RoHS要求.



| | | |
|---|----|---|
| DRAWN BY: 绘图:PDO3 2024.05.28 | |  <p>美易连电子科技(深圳)有限公司 Meiyilian electronic technology(shenzhen)Co.,Ltd.</p> |
| CHECKED BY: 审核:Z01 2024.05.28 | | |
| APPROVED BY: 核准:PDO5 2024.05.28 | | |
| <p>GENERAL TOLERANCE (UNLESS SPECIFIED)</p> <p>≤10 ±0.1 <10~≤20 ±0.15 <20~≤50 ±0.3 Angle ±1°</p> | | <p>单位 UNT: mm</p> <p>名称 PART NAME</p> <p>比例 SCALE: 1: 1</p> <p>型号 PART NAME</p> |
| REV/版本 | A1 | <p>名称 TWA-0U弯角插头(带护套式尾帽) TWA-0U Angle Plug (with jacketed tail cap)</p> <p>型号 TWA. 0U. 304. CLAD52Z</p> |