

| REV/版本 | DESCRIPTION/变更内容 | DATE/日期 | DRAWN BY/绘图 |
|--------|------------------|---------|-------------|
|        |                  |         |             |

1. Product main performance/产品主要性能指标:

Operating Temperature/工作温度 : -55°C~200°C  
 Humidity(max)/最大潮湿 : <=95% [at 60 deg C / 140 F]  
 Shielding /屏蔽性能 : 75dB(10MHz) 40dB(1GHz)  
 Salt Spray Corrosion/盐雾 : 96hr  
 P op (max)/最大环境压力 : 60 bar (870 psi)

Mechanical data/机械特性:

Vibration/振动 : 15g[10Hz~2000Hz]  
 Shock Resistance/冲击 : 100g[6ms]  
 Endurance (Shell)/机械寿命 : 5000+

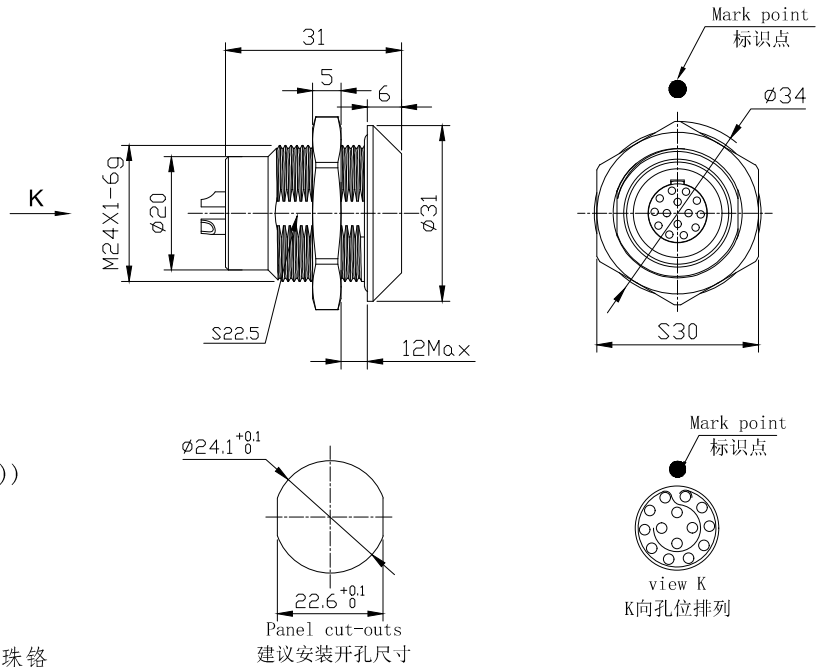
2. 电气性能

Insert Configuration/针芯配置:3K.314 14Low Voltage  
 Pin Size/接触件直径:φ0.9mm  
 Contact resistance接触电阻:≤9mΩ  
 Insulation resistance/绝缘电阻:5000MΩ (测试电压500V(DC))  
 Withstand voltage/耐电压:750V(AC)  
 Rated working current额定工作电流:9.0A

Other Specification/其它规格:

Contact PIN/接触体 : Gold plated Tin bronze/锡青铜镀金  
 Housing Material/外壳材质 : Chrome plated brass/铜镀珍珠铬  
 Other metal spare parts/其余金属件 : Nickel plated brass/铜镀镍  
 Insulator material/绝缘材料: PPS  
 IP Rating/防护等级 : IP68(头座插合)

\*ALL MATERIALS ARE RoHS COMPLIANT/所有材料均符合RoHS要求.



A

B

C

D

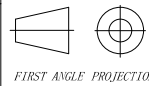
A

B

C

D

|   |    |   |
|---|----|---|
| DRAWN BY:<br>绘图: P003 2024. 05. 28  |    | <p>美易连电子科技(深圳)有限公司<br/>Meiyilian electronic technology (shenzhen) Co., Ltd.</p>   |
| CHECKED BY:<br>审核: Z01 2024. 05. 28   |    |   |
| APPROVED BY:<br>核准: P005 2024. 05. 28   |    |   |
| <p>GENERAL TOLERANCE (UNLESS SPECIFIED)</p> <p>≤10 ±0.1<br/>                 &lt;10° ≤20 ±0.15<br/>                 &lt;20° ≤50 ±0.3<br/>                 Angle ±1°</p> |    | <p>UNIT: mm<br/>                 名称 PART NAME<br/>                 比例 SCALE: 1: 1<br/>                 SIZE: A4<br/>                 型号 PART NAME</p> |
| REV/版本  | A1 | <p>SHEET: 1 OF 1</p>  |



|        |    |
|--------|----|
| REV/版本 | A1 |
|--------|----|

|              |                                    |
|--------------|------------------------------------|
| 名称 PART NAME | MGG-3K固定式插座<br>MGG-3K Fixed socket |
| 型号 PART NAME | MGG. 3K. 314. CLL                  |