

1) Product main performance/产品主要性能指标:

Operating Temperature/工作温度: $-55^{\circ}\text{C} \sim 200^{\circ}\text{C}$

Humidity(max)/最大潮湿: $\leq 95\%$ [at 60 deg C / 140 F]

Shielding /屏蔽性能: 75dB(10MHz) 40dB(1GHz)

Salt Spray Corrosion/盐雾: 96hr

P op (max)/最大环境压力: 60 bar (870 psi)

Mechanical data/机械特性:

Vibration/振动: 15g[10Hz~2000Hz]

Shock Resistance/冲击: 100g[6ms]

Endurance (Shell)/机械寿命: 5000次

Cable/配接电缆: $\phi 4.1\text{mm} - \phi 5.0\text{mm}$

2. 电气性能

Insert Configuration/针芯配置: 1T.305 5Low Voltage

Pin Size/接触件直径: $\phi 0.9\text{mm}$

Contact resistance接触电阻: $\leq 9\text{m}\Omega$

Insulation resistance/绝缘电阻: 5000M Ω (测试电压500V(DC))

Withstand voltage/耐电压: 875V(AC)

Rated working current额定工作电流: 9.0A

Other Specification/其它规格:

Contact PIN/接触体: Gold plated Tin bronze/锡青铜镀金

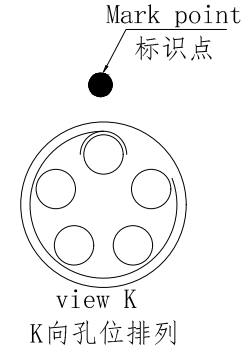
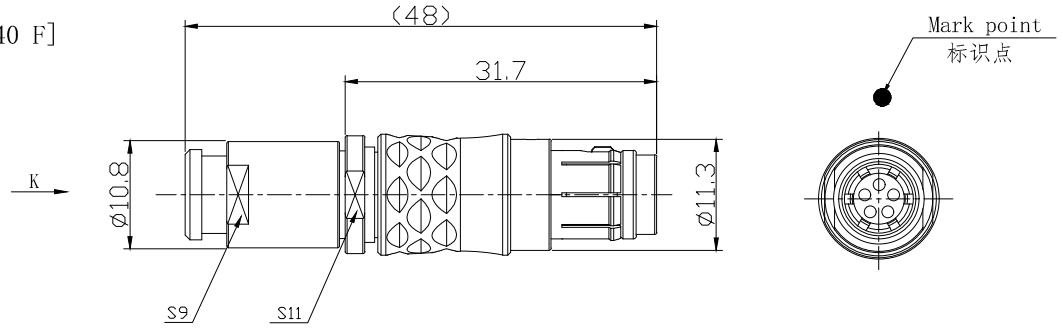
Housing Material/外壳材质: Chrome plated brass/铜镀珍珠铬


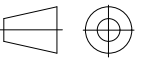
Other metal spare parts/其余金属件: Nickel plated brass/铜镀镍

Insulator material/绝缘材料: PPS

IP Rating/防护等级: IP68(插合状态)

*ALL MATERIALS ARE RoHS COMPLIANT/所有材料均符合RoHS要求.



DRAWN BY: 绘图: Z01 2024. 6. 20 CHECKED BY: 审核: Z01 2024. 6. 20 APPROVED BY: 核准: PD05 2024. 6. 20	 美易连电子科技(深圳)有限公司 Meiyilian electronic technology(shenzhen)Co. Ltd.		
GENERAL TOLERANCE (UNLESS SPECIFIED) $\leq 10 \pm 0.1$ $< 10^{\circ} \sim \leq 20^{\circ} \pm 0.15$ $< 20^{\circ} \sim \leq 50^{\circ} \pm 0.3$ Angle $\pm 1^{\circ}$	 FIRST ANGLE PROJECTION	单位 UNT: mm 比例 SCALE: 1: 1 SIZE: A4	名称 PART NAME 1T-TG直式插头 1T-TG Straight plug
	REV/版本 A1	SHEET: 1 OF 1	型号 PART NAME TGG. 1T. 305. CLAC52Z