

1) Product main performance/产品主要性能指标:

Operating Temperature/工作温度: $-55^{\circ}\text{C}\sim 200^{\circ}\text{C}$
 Humidity(max)/最大潮湿: $\leq 95\%$ [at 60 deg C / 140 F]
 Shielding /屏蔽性能: 75dB(10MHz) 40dB(1GHz)
 Salt Spray Corrosion/盐雾: 96hr
 P op (max)/最大环境压力: 60 bar (870 psi)

Mechanical data/机械特性:

Vibration/振动: 15g[10Hz~2000Hz]
 Shock Resistance/冲击: 100g[6ms]
 Endurance (Shell)/机械寿命: 5000次
 Cable/配接电缆: $\phi 4.1\text{mm}\sim\phi 5.0\text{mm}$

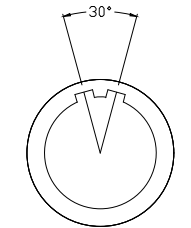
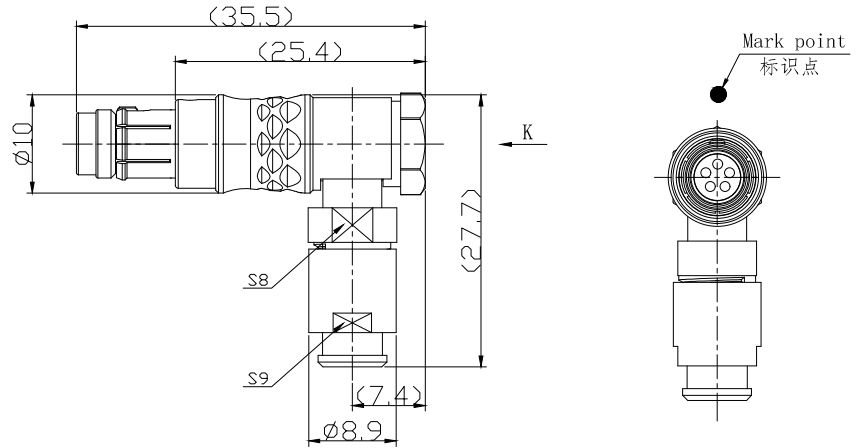
2. 电气性能

Insert Configuration/针芯配置: 0T. 305 5Low Voltage
 Pin Size/接触件直径: $\phi 0.7\text{mm}$
 Contact resistance接触电阻: $\leq 12.5\text{m}\Omega$
 Insulation resistance/绝缘电阻: 5000M Ω (测试电压500V (DC))
 Withstand voltage/耐电压: 750V (AC)
 Rated working current额定工作电流: 6.5A

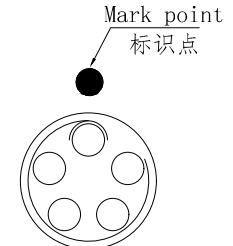
Other Specification/其它规格:

Contact PIN/接触体: Gold plated Tin bronze/锡青铜镀金
 Housing Material/外壳材质: Chrome plated brass/铜镀珍珠铬
 Other metal spare parts/其余金属件: Nickel plated brass/铜镀镍
 Insulator material/绝缘材料: PPS
 IP Rating/防护等级: IP68(插合状态)

*ALL MATERIALS ARE RoHS COMPLIANT/所有材料均符合RoHS要求.



Plug front view
插头前视图



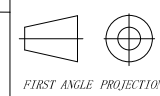
view K
K向孔位排列

DRAWN BY:
绘图: Z01 2024. 6. 20
CHECKED BY:
审核: Z01 2024. 6. 20
APPROVED BY:
核准: F005 2024. 6. 20



美易连电子科技(深圳)有限公司
Meiyilian electronic technology (shenzhen) Co. Ltd.

GENERAL TOLERANCE
(UNLESS SPECIFIED)
 $\leq 10 \pm 0.1$
 $< 10^{\circ} \leq 20^{\circ} \pm 0.15$
 $< 20^{\circ} \leq 50^{\circ} \pm 0.3$
 Angle $\pm 1^{\circ}$



单位
UNIT: mm
比例
SCALE: 1: 1
SIZE: A4
SHEET: 1 OF 1

名称
PART NAME
型号
PART NAME

0T-TH弯式插头
0T-TH Bent plug
THA. 0T. 305. CLAC52Z