

1) Product main performance/产品主要性能指标:

Operating Temperature/工作温度: -55°C~200°C

Humidity(max)/最大潮湿: <=95% [at 60 deg C / 140 F]

Shielding /屏蔽性能: 75dB(10MHz) 40dB(1GHz)

Salt Spray Corrosion/盐雾: 96hr

P op (max)/最大环境压力: 60 bar (870 psi)

Mechanical data/机械特性:

Vibration/振动: 15g[10Hz~2000Hz]

Shock Resistance/冲击: 100g[6ms]

Endurance (Shell)/机械寿命: 5000次

Cable/配接电缆: Ø8.1mm-Ø9.0mm

2. 电气性能

Insert Configuration/针芯配置: 3T.308 8Low Voltage

Pin Size/接触件直径: Ø1.3mm

Contact resistance接触电阻: ≤5mΩ

Insulation resistance/绝缘电阻: 5000MΩ (测试电压500V(DC))

Withstand voltage/耐电压: 1150V(AC)

Rated working current额定工作电流: 13.0A

Other Specification/其它规格:

Contact PIN/接触体: Gold plated Tin bronze/锡青铜镀金

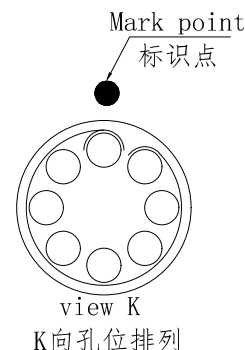
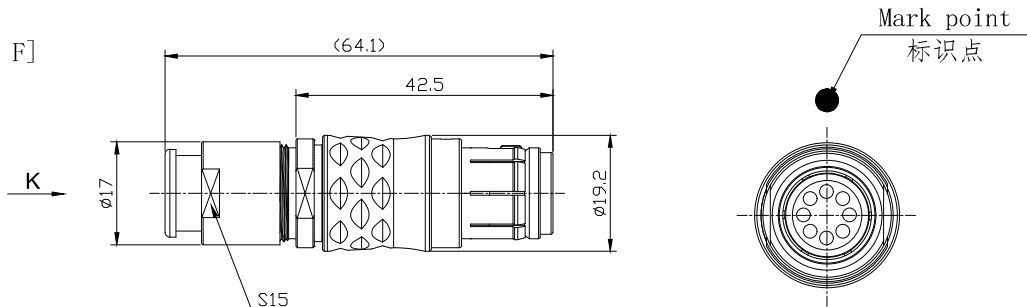
Housing Material/外壳材质: Chrome plated brass/铜镀珍珠铬

Other metal spare parts/其余金属件: Nickel plated brass/铜镀镍

Insulator material/绝缘材料: PPS

IP Rating/防护等级: IP68(头座插合)

*ALL MATERIALS ARE RoHS COMPLIANT/所有材料均符合RoHS要求.



DRAWN BY:
绘图: Z01 2024. 6. 20
CHECKED BY:
审核: Z01 2024. 6. 20
APPROVED BY:
核准: PD05 2024. 6. 20



美易连电子科技(深圳)有限公司
Meiyilian electronic technology(shenzhen)Co. Ltd.

GENERAL TOLERANCE
(UNLESS SPECIFIED)

≤10 ±0.1
<10°~≤20 ±0.15
<20°~≤50 ±0.3
Angle ±1°



FIRST ANGLE PROJECTION

单位

UNTT: mm

名称

PART NAME

比例

SCALE: 1: 1

型号

PART NAME

REV/版本

A1

SHEET: 1 OF 1

3T-TG直式插头(带护套式尾帽)
3T-TG Straight plug
(with jacketed tail cap)

TGG. 3T. 308. CLAC92Z