

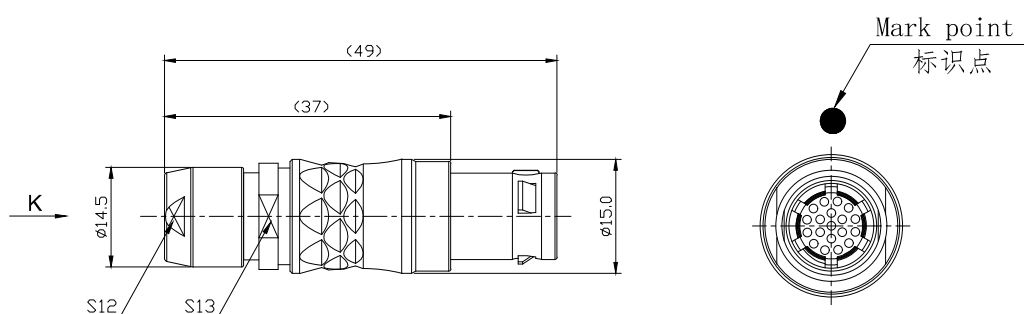
REV/版本	DESCRIPTION/变更内容	DATE/日期	DRAWN BY/绘图

1) Product main performance/产品主要性能指标:

Operating Temperature/工作温度 : -55℃~200℃
 Humidity(max)/最大潮湿 : <=95% [at 60 deg C / 140 F]
 Shielding /屏蔽性能 : 75dB(10MHz) 40dB(1GHz)
 Salt Spray Corrosion/盐雾 : 96hr
 P op (max)/最大环境压力 : 60 bar (870 psi)

Mechanical data/机械特性:

Vibration/振动 : 15g[10Hz~2000Hz]
 Shock Resistance/冲击 : 100g[6ms]
 Endurance (Shell)/机械寿命 : 5000次
 Cable/配接电缆: Ø3.4mm-Ø4.3mm



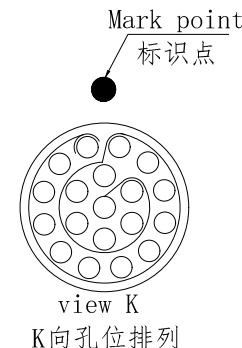
2. 电气性能

Insert Configuration/针芯配置: 2B. 319 19Low Voltage
 Pin Size/接触件直径: Ø0.7mm
 Contact resistance接触电阻: ≤12.5mΩ
 Insulation resistance/绝缘电阻: 5000MΩ (测试电压500V(DC))
 Withstand voltage/耐电压: 950V(AC)
 Rated working current额定工作电流: 5.0A

Other Specification/其它规格:

Contact PIN/接触体: Gold plated Tin bronze/锡青铜镀金
 Housing Material/外壳材质: Chrome plated brass/铜镀珍珠铬
 Other metal spare parts/其余金属件: Nickel plated brass/铜镀镍
 Insulator material/绝缘材料: PPS
 IP Rating/防护等级: IP50

*ALL MATERIALS ARE RoHS COMPLIANT/所有材料均符合RoHS要求.



DRAWN BY: 绘图: P003 2024.05.28 CHECKED BY: 审核: Z01 2024.05.28 APPROVED BY: 核准: P005 2024.05.28		美易连电子科技(深圳)有限公司 Meiyilian electronic technology(shenzhen)Co.,Ltd.	
GENERAL TOLERANCE (UNLESS SPECIFIED) ≤10 ±0.1 <10~≤20 ±0.15 <20~≤50 ±0.3 AngIε ±1°			单位 UNITS: mm 名称 PART NAME 比例 SCALE: 1: 1 型号 PART NAME
REV/版本	A1	SHEET: 1 OF 1	