

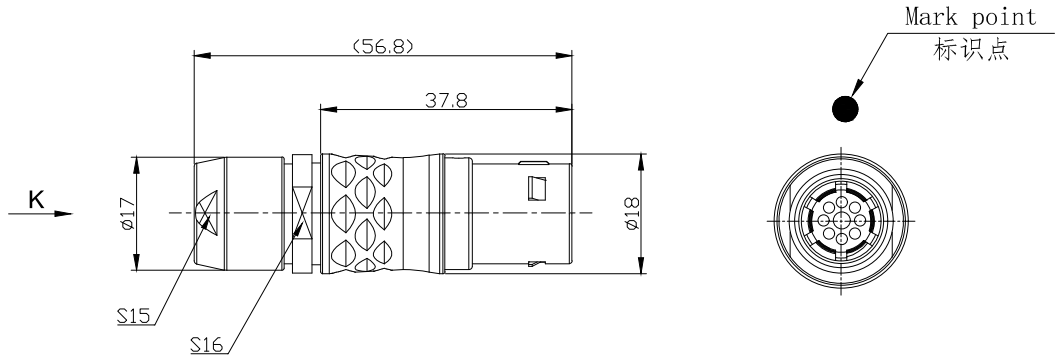
REV/版本	DESCRIPTION/变更内容	DATE/日期	DRAWN BY/绘图

1) Product main performance/产品主要性能指标:

Operating Temperature/工作温度 : -55°C~200°C
Humidity(max)/最大潮湿 : <=95% [at 60 deg C / 140 F]
Shielding /屏蔽性能 : 75dB(10MHz) 40dB(1GHz)
Salt Spray Corrosion/盐雾 : 96hr
P op (max)/最大环境压力 : 60 bar (870 psi)

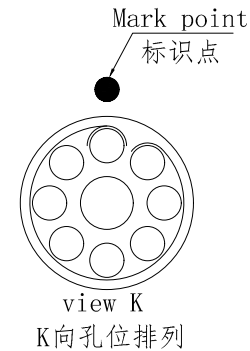
Mechanical data/机械特性:

Vibration/振动 : 15g[10Hz~2000Hz]
Shock Resistance/冲击 : 100g[6ms]
Endurance (Shell)/机械寿命 : 5000+
Cable/配接电缆: Ø8.1mm-Ø9.0mm



2. 电气性能


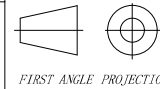
Insert Configuration/针芯配置: 3B. 309 9Low Voltage
Pin Size/接触件直径: Ø2.0/1.3mm
Contact resistance接触电阻: ≤3.5/5mΩ
Insulation resistance/绝缘电阻: 5000MΩ (测试电压500V(DC))
Withstand voltage/耐电压: 750V(AC)
Rated working current额定工作电流: 15.0/6.0A



Other Specification/其它规格:

Contact PIN/接触体: Gold plated Tin bronze/锡青铜镀金
Housing Material/外壳材质: Chrome plated brass/铜镀珍珠铬
Other metal spare parts/其余金属件: Nickel plated brass/铜镀镍
Insulator material/绝缘材料: PPS
IP Rating/防护等级: IP50

*ALL MATERIALS ARE RoHS COMPLIANT/所有材料均符合RoHS要求.

DRAWN BY: 绘图: PD03 2024.05.28 CHECKED BY: 审核: Z01 2024.05.28 APPROVED BY: 核准: PD05 2024.05.28		 美易连电子科技(深圳)有限公司 Meiyilian electronic technology(shenzhen)Co.,Ltd.							
GENERAL TOLERANCE (UNLESS SPECIFIED) ≤10 ±0.1 <10~≤20 ±0.15 <20~≤50 ±0.3 Angle ±1°		 FIRST ANGLE PROJECTION	<table border="1"> <tr> <td>单位 UNIT: mm</td> <td>名称 PART NAME</td> </tr> <tr> <td>比例 SCALE: 1: 1</td> <td>3B-TG直式插头(不带护套式尾帽) 3B-TG Straight plug (without jacketed tail cap)</td> </tr> <tr> <td>型号 PART NAME</td> <td>TGG. 3B. 309. CLAD92</td> </tr> </table>	单位 UNIT: mm	名称 PART NAME	比例 SCALE: 1: 1	3B-TG直式插头(不带护套式尾帽) 3B-TG Straight plug (without jacketed tail cap)	型号 PART NAME	TGG. 3B. 309. CLAD92
单位 UNIT: mm	名称 PART NAME								
比例 SCALE: 1: 1	3B-TG直式插头(不带护套式尾帽) 3B-TG Straight plug (without jacketed tail cap)								
型号 PART NAME	TGG. 3B. 309. CLAD92								
REV/版本	A1	SIZE: A4	SHEET: 1 OF 1						