

1) Product main performance/产品主要性能指标:

Operating Temperature/工作温度 : -55°C~200°C
 Humidity(max)/最大潮湿 : <=95% [at 60 deg C / 140 F]
 Shielding /屏蔽性能 : 75dB(10MHz) 40dB(1GHz)
 Salt Spray Corrosion/盐雾 : 96hr
 P op (max)/最大环境压力 : 60 bar (870 psi)

Mechanical data/机械特性:
 Vibration/振动 : 15g[10Hz~2000Hz]
 Shock Resistance/冲击 : 100g[6ms]
 Endurance (Shell)/机械寿命 : 5000+
 Cable/配接电缆: ϕ 4.1mm- ϕ 5.0mm

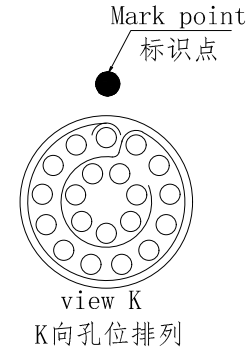
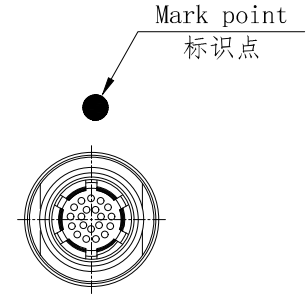
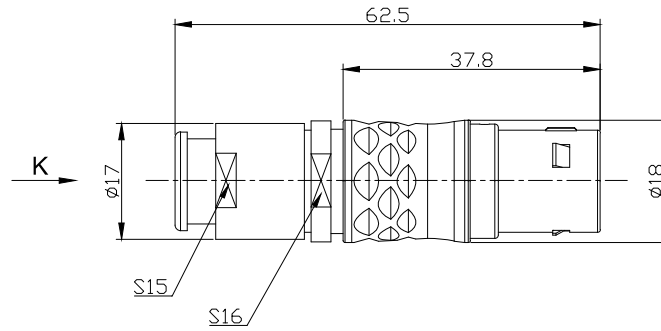
2. 电气性能

Insert Configuration/针芯配置: 3B.320 20Low Voltage
 Pin Size/接触件直径: ϕ 0.7mm
 Contact resistance接触电阻: \leq 12.5m Ω
 Insulation resistance/绝缘电阻: 5000M Ω (测试电压500V(DC))
 Withstand voltage/耐电压: 750V(AC)
 Rated working current额定工作电流: 6.0A

Other Specification/其它规格:

Contact PIN/接触体: Gold plated Tin bronze/锡青铜镀金
 Housing Material/外壳材质: Chrome plated brass/铜镀珍珠铬
 Other metal spare parts/其余金属件: Nickel plated brass/铜镀镍
 Insulator material/绝缘材料: PPS
 IP Rating/防护等级: IP50

*ALL MATERIALS ARE RoHS COMPLIANT/所有材料均符合RoHS要求.



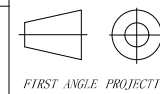
REV/版本	DESCRIPTION/变更内容	DATE/日期	DRAWN BY/绘图

DRAWN BY: 绘图: PDO3	2024. 05. 28
CHECKED BY: 审核: Z01	2024. 05. 28
APPROVED BY: 核准: PDO5	2024. 05. 28



美易连电子科技(深圳)有限公司
 Meiyilian electronic technology(shenzhen)Co., Ltd.

GENERAL TOLERANCE (UNLESS SPECIFIED)	
≤ 10	± 0.1
$< 10 \sim \leq 20$	± 0.15
$< 20 \sim \leq 50$	± 0.3
Angle $\pm 1^\circ$	



FIRST ANGLE PROJECTION

单位 UNIT: mm	名称 PART NAME	3B-TG直式插头(带护套式尾帽) 3B-TG Straight plug (with jacketed tail cap)
比例 SCALE: 1: 1	型号 PART NAME	
REV/版本	A1	TGG. 3B. 320. CLAD52Z
SHEET: 1 OF 1		