

| REV/版本 | DESCRIPTION/变更内容 | DATE/日期 | DRAWN BY/绘图 |
|--------|------------------|---------|-------------|
|        |                  |         |             |

1) Product main performance/产品主要性能指标:

Operating Temperature/工作温度 : -55°C~200°C  
Humidity(max)/最大潮湿 : <=95% [at 60 deg C / 140 F]  
Shielding /屏蔽性能 : 75dB(10MHz) 40dB(1GHz)  
Salt Spray Corrosion/盐雾 : 96hr  
P op (max)/最大环境压力 : 60 bar (870 psi)

Mechanical data/机械特性:

Vibration/振动 : 15g[10Hz~2000Hz]  
Shock Resistance/冲击 : 100g[6ms]  
Endurance (Shell)/机械寿命 : 5000次  
Cable/配接电缆: Ø4.1mm-Ø5.0mm

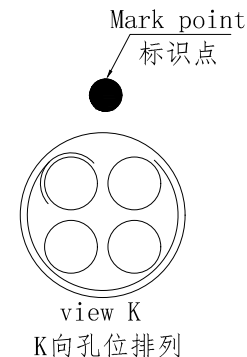
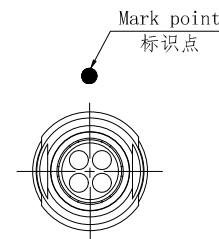
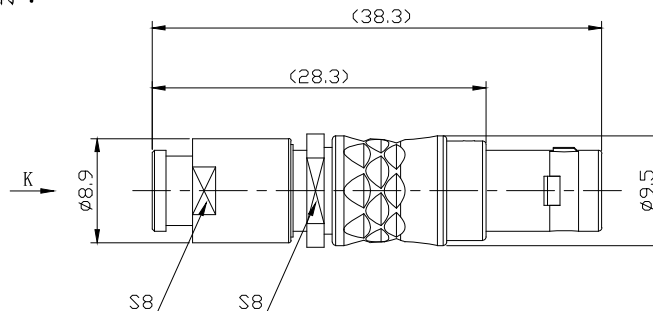
2. 电气性能

Insert Configuration/针芯配置:0B.304 4Low Voltage  
Pin Size/接触件直径:Ø0.7mm  
Contact resistance接触电阻:≤12.5mΩ  
Insulation resistance/绝缘电阻:5000MΩ (测试电压500V(DC))  
Withstand voltage/耐电压:750V(AC)  
Rated working current额定工作电流:7.0A

Other Specification/其它规格:

Contact PIN/接触体: Gold plated Tin bronze/锡青铜镀金  
Housing Material/外壳材质: Chrome plated brass/铜镀珍珠铬  
Other metal spare parts/其余金属件: Nickel plated brass/铜镀镍  
Insulator material/绝缘材料: PPS  
IP Rating/防护等级: IP50

\*ALL MATERIALS ARE RoHS COMPLIANT/所有材料均符合RoHS要求.

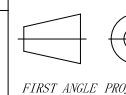


|                         |            |
|-------------------------|------------|
| DRAWN BY:<br>绘图:PD03    | 2024.05.28 |
| CHECKED BY:<br>审核:Z01   | 2024.05.28 |
| APPROVED BY:<br>核准:PD05 | 2024.05.28 |



美易连电子科技(深圳)有限公司  
Meiyilian electronic technology(shenzhen)Co.,Ltd.

|   |       |
|---|-------|
| GENERAL TOLERANCE<br>(UNLESS SPECIFIED) |       |
| ≤10                                     | ±0.1  |
| <10~≤20                                 | ±0.15 |
| <20~≤50                                 | ±0.3  |
| Angle                                   | ±1°   |



FIRST ANGLE PROJECTION

|        |    |
|--------|----|
| REV/版本 | A1 |
|--------|----|

|                  |                 |  |
|------------------|-----------------|--|
| 单位<br>UNTT: mm   | 名称<br>PART NAME | OB-TG直式插头(带护套式尾帽)<br>OB-TG Straight plug<br>(with jacketed tail cap) |
| 比例<br>SCALE: 1:1 |                 |  |
| SIZE: A4         | 型号<br>PART NAME | TGG. 0B. 304. CLAD52Z  |
| SHEET: 1 OF 1    |                 |  |