

REV/版本	DESCRIPTION/变更内容	DATE/日期	DRAWN BY/绘图

1) Product main performance/产品主要性能指标:

Operating Temperature/工作温度 : -55°C~200°C  
Humidity(max)/最大潮湿 : <=95% [at 60 deg C / 140 F]  
Shielding /屏蔽性能 : 75dB(10MHz) 40dB(1GHz)  
Salt Spray Corrosion/盐雾 : 96hr  
P op (max)/最大环境压力 : 60 bar (870 psi)

Mechanical data/机械特性:

Vibration/振动 : 15g[10Hz~2000Hz]  
Shock Resistance/冲击 : 100g[6ms]  
Endurance (Shell)/机械寿命 : 5000次  
Cable/配接电缆:  $\phi$ 2.4mm- $\phi$ 3.3mm

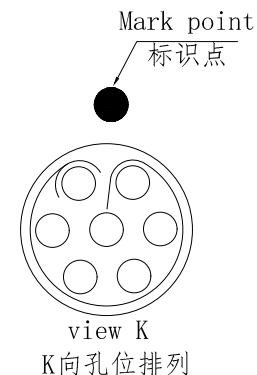
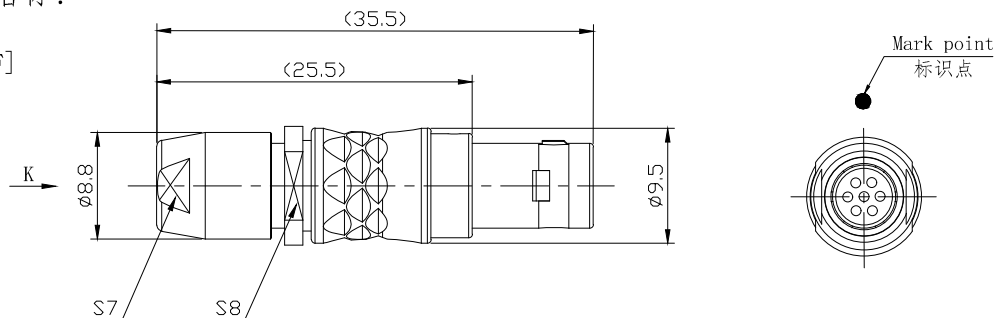
2. 电气性能


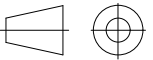
Insert Configuration/针芯配置: 0B. 307 7Low Voltage  
Pin Size/接触件直径:  $\phi$ 0.5mm  
Contact resistance接触电阻:  $\leq$ 15m $\Omega$   
Insulation resistance/绝缘电阻: 5000M $\Omega$  (测试电压500V(DC))  
Withstand voltage/耐电压: 500V(AC)  
Rated working current额定工作电流: 2.5A

Other Specification/其它规格:

Contact PIN/接触体: Gold plated Tin bronze/锡青铜镀金  
Housing Material/外壳材质: Chrome plated brass/铜镀珍珠铬  
Other metal spare parts/其余金属件: Nickel plated brass/铜镀镍  
Insulator material/绝缘材料: PPS  
IP Rating/防护等级: IP50

\*ALL MATERIALS ARE RoHS COMPLIANT/所有材料均符合RoHS要求.



DRAWN BY: 绘图: P003      2024. 05. 28 CHECKED BY: 审核: Z01      2024. 05. 28 APPROVED BY: 核准: P005      2024. 05. 28		 <b>美易连电子科技(深圳)有限公司</b> Meiyilian electronic technology(shenzhen)Co.,Ltd.	
GENERAL TOLERANCE (UNLESS SPECIFIED) $\leq$ 10 $\pm$ 0.1 <10 $^\circ$ $\leq$ 20 $\pm$ 0.15 <20 $^\circ$ $\leq$ 50 $\pm$ 0.3 Angle $\pm$ 1 $^\circ$			
FIRST ANGLE PROJECTION 		比例 SCALE: 1: 1 型号 PART NAME TGG. 0B. 307. CLAD35	SIZE: A4 SHEET: 1 OF 1
REV/版本	A1		