

1) Product main performance/产品主要性能指标:

Operating Temperature/工作温度: $-55^{\circ}\text{C} \sim 200^{\circ}\text{C}$

Humidity(max)/最大潮湿: $\leq 95\%$ [at 60 deg C / 140 F]

Shielding /屏蔽性能: 75dB(10MHz) 40dB(1GHz)

Salt Spray Corrosion/盐雾: 96hr

P op (max)/最大环境压力: 60 bar (870 psi)

Mechanical data/机械特性:

Vibration/振动: 15g[10Hz~2000Hz]

Shock Resistance/冲击: 100g[6ms]

Endurance (Shell)/机械寿命: 5000次

Cable/配接电缆: $\phi 2.1\text{mm} - \phi 3.0\text{mm}$

2. 电气性能

Insert Configuration/针芯配置: 1T.310 10Low Voltage

Pin Size/接触件直径: $\phi 0.5\text{mm}$

Contact resistance接触电阻: $\leq 15\text{m}\Omega$

Insulation resistance/绝缘电阻: $5000\text{M}\Omega$ (测试电压500V(DC))

Withstand voltage/耐电压: 750V(AC)

Rated working current额定工作电流: 2.5A

Other Specification/其它规格:

Contact PIN/接触体: Gold plated Tin bronze/锡青铜镀金

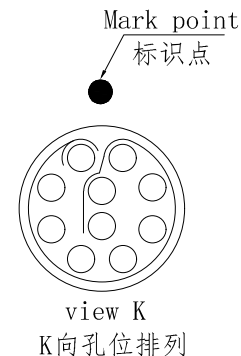
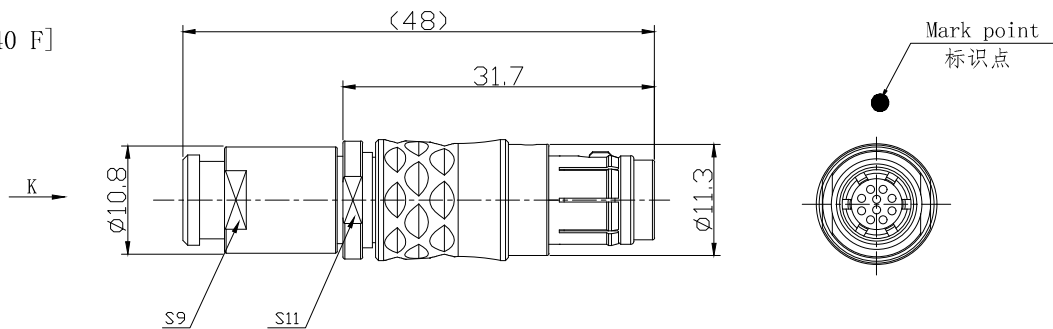
Housing Material/外壳材质: Chrome plated brass/铜镀珍珠铬


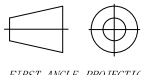
Other metal spare parts/其余金属件: Nickel plated brass/铜镀镍

Insulator material/绝缘材料: PPS

IP Rating/防护等级: IP68(插合状态)

*ALL MATERIALS ARE RoHS COMPLIANT/所有材料均符合RoHS要求.



DRAWN BY: 绘图: Z01 2024. 6. 20		 美易连电子科技(深圳)有限公司 Meiyilian electronic technology(shenzhen)Co. Ltd.		名称		1T-TG直式插头		
CHECKED BY: 审核: Z01 2024. 6. 20				UNIT: mm		PART NAME		1T-TG Straight plug
APPROVED BY: 核准: PD05 2024. 6. 20				比例 SCALE: 1: 1		型号		TGG. 1T. 310. CLAC32Z
GENERAL TOLERANCE (UNLESS SPECIFIED)		FIRST ANGLE PROJECTION		SIZE: A1		PART NAME		
$\leq 10 \pm 0.1$		 FIRST ANGLE PROJECTION		REV/版本		A1		
$< 10^{\circ} \leq 20^{\circ} \pm 0.15$				SHEET: 1 OF 1				
$< 20^{\circ} \leq 50^{\circ} \pm 0.3$								
Angle $\pm 1^{\circ}$								