

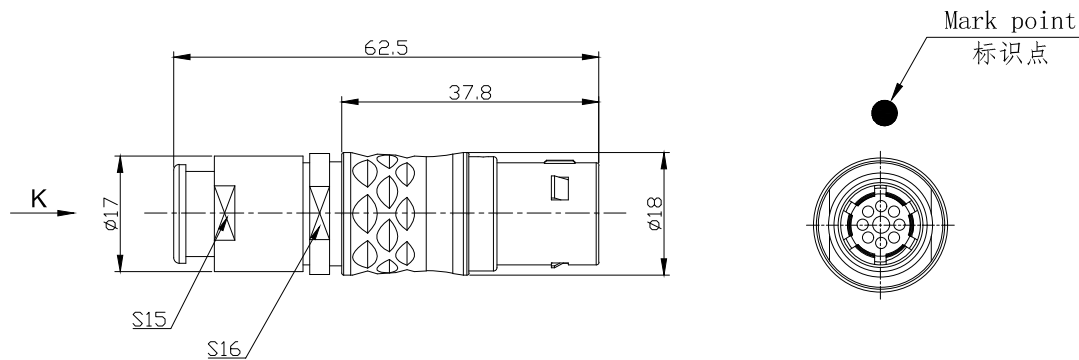
REV/版本	DESCRIPTION/变更内容	DATE/日期	DRAWN BY/绘图

1) Product main performance/产品主要性能指标:

Operating Temperature/工作温度 : -55°C~200°C
Humidity(max)/最大潮湿 : <=95% [at 60 deg C / 140 F]
Shielding /屏蔽性能 : 75dB(10MHz) 40dB(1GHz)
Salt Spray Corrosion/盐雾 : 96hr
P op (max)/最大环境压力 : 60 bar (870 psi)

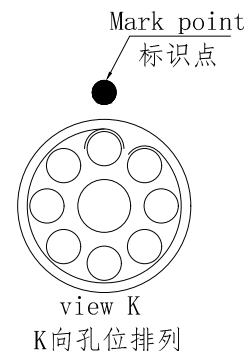
Mechanical data/机械特性:

Vibration/振动 : 15g [10Hz~2000Hz]
Shock Resistance/冲击 : 100g [6ms]
Endurance (Shell)/机械寿命 : 5000+
Cable/配接电缆: $\phi 5.1\text{mm}-\phi 6.0\text{mm}$



2. 电气性能


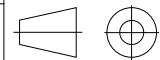
Insert Configuration/针芯配置: 3B. 309 9Low Voltage
Pin Size/接触件直径: $\phi 2.0/1.3\text{mm}$
Contact resistance接触电阻: $\leq 3.5/5\text{m}\Omega$
Insulation resistance/绝缘电阻: $5000\text{M}\Omega$ (测试电压500V (DC))
Withstand voltage/耐电压: 750V (AC)
Rated working current额定工作电流: 15.0/6.0A



Other Specification/其它规格:

Contact PIN/接触体: Gold plated Tin bronze/锡青铜镀金
Housing Material/外壳材质: Chrome plated brass/铜镀珍珠铬
Other metal spare parts/其余金属件: Nickel plated brass/铜镀镍
Insulator material/绝缘材料: PPS
IP Rating/防护等级: IP50

*ALL MATERIALS ARE RoHS COMPLIANT/所有材料均符合RoHS要求.

DRAWN BY: 绘图: PD03 2024. 05. 28 CHECKED BY: 审核: Z01 2024. 05. 28 APPROVED BY: 核准: PD05 2024. 05. 28		 美易连电子科技(深圳)有限公司 Meiyilian electronic technology (shenzhen) Co., Ltd.		
GENERAL TOLERANCE (UNLESS SPECIFIED) $\leq 10 \pm 0.1$ $< 10 \sim \leq 20 \pm 0.15$ $< 20 \sim \leq 50 \pm 0.3$ Angle $\pm 1^\circ$		 FIRST ANGLE PROJECTION	单位 UNIT: mm 名称 PART NAME 比例 SCALE: 1: 1 型号 PART NAME SIZE: A4 SHEET: 1 OF 1	3B-TG直式插头(带护套式尾帽) 3B-TG Straight plug (with jacketed tail cap) TGG. 3B. 309. CLAD62Z
REV/版本	A1	https://www.mylconnector.com/	8	

A

B

C

D

A

B

C

D

1

2

3

4

5

6

7

8

1

2

https://www.mylconnector.com/

4

5

https://www.mylconnector.com/

7

8