

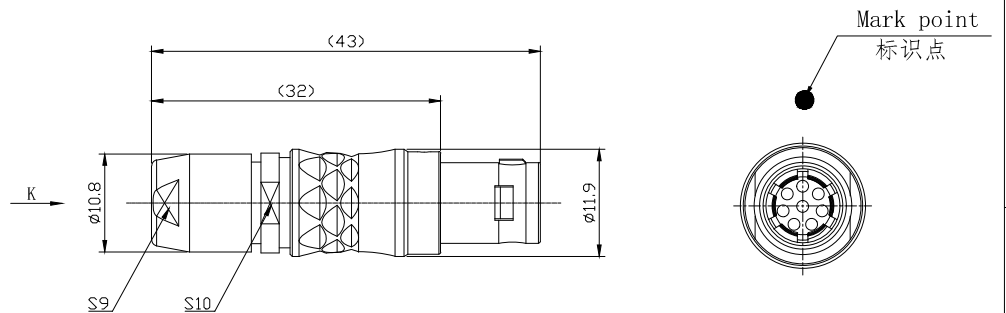
| | | | |
|--------|------------------|---------|-------------|
| REV/版本 | DESCRIPTION/变更内容 | DATE/日期 | DRAWN BY/绘图 |
| | | | |

1) Product main performance/产品主要性能指标:

Operating Temperature/工作温度: -55°C~200°C
 Humidity(max)/最大潮湿: <=95% [at 60 deg C / 140 F]
 Shielding /屏蔽性能: 75dB(10MHz) 40dB(1GHz)
 Salt Spray Corrosion/盐雾: 96hr
 P op (max)/最大环境压力: 60 bar (870 psi)

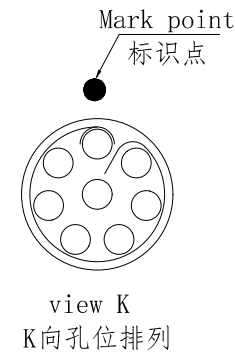
Mechanical data/机械特性:

Vibration/振动: 15g[10Hz~2000Hz]
 Shock Resistance/冲击: 100g[6ms]
 Endurance (Shell)/机械寿命: 5000次
 Cable/配接电缆: $\phi 6.1\text{mm}-\phi 7.0\text{mm}$



2. 电气性能


Insert Configuration/针芯配置: 1B. 308 8Low Voltage
 Pin Size/接触件直径: $\phi 0.7\text{mm}$
 Contact resistance接触电阻: $\leq 12.5\text{m}\Omega$
 Insulation resistance/绝缘电阻: 5000M Ω (测试电压500V(DC))
 Withstand voltage/耐电压: 875V(AC)
 Rated working current额定工作电流: 5.0A



Other Specification/其它规格:

Contact PIN/接触体: Gold plated Tin bronze/锡青铜镀金
 Housing Material/外壳材质: Chrome plated brass/铜镀珍珠铬
 Other metal spare parts/其余金属件: Nickel plated brass/铜镀镍
 Insulator material/绝缘材料: PPS
 IP Rating/防护等级: IP50

*ALL MATERIALS ARE RoHS COMPLIANT/所有材料均符合RoHS要求.

| | | | | | |
|--|--|--|--|---|--|
| DRAWN BY: 绘图: P003 2024. 05. 28 CHECKED BY: 审核: Z01 2024. 05. 28 APPROVED BY: 核准: P005 2024. 05. 28 | |  美易连电子科技(深圳)有限公司 Meiyilian electronic technology(shenzhen)Co.,Ltd. | | 名称 PART NAME 1B-TG直式插头(不带护套式尾帽) 1B-TG Straight plug (without jacketed tail cap) | |
| GENERAL TOLERANCE (UNLESS SPECIFIED) $\leq 10 \pm 0.1$ $< 10 \sim \leq 20 \pm 0.15$ $< 20 \sim \leq 50 \pm 0.3$ Angle $\pm 1^\circ$ | | | | 单位 UNTT: mm 比例 SCALE: 1: 1 SIZE: A4 SHEET: 1 OF 1 | |
| REV/版本 A1 | | https://www.mylconnector.com/ | | https://www.mylconnector.com/ | |

A
B
C
D

A
B
C
D