

1	2	3	4	5	6	7	8
REV/版本	DESCRIPTION/变更内容			DATE/日期	DRAWN BY/绘图		

1) Product main performance/产品主要性能指标:

Operating Temperature/工作温度: -55°C~200°C
 Humidity(max)/最大潮湿: <=95% [at 60 deg C / 140 F]
 Shielding /屏蔽性能: 75dB(10MHz) 40dB(1GHz)
 Salt Spray Corrosion/盐雾: 96hr
 P op (max)/最大环境压力: 60 bar (870 psi)

Mechanical data/机械特性:
 Vibration/振动: 15g[10Hz~2000Hz]
 Shock Resistance/冲击: 100g[6ms]
 Endurance (Shell)/机械寿命: 5000次
 Cable/配接电缆: $\phi 2.4\text{mm}-\phi 3.3\text{mm}$

2. 电气性能

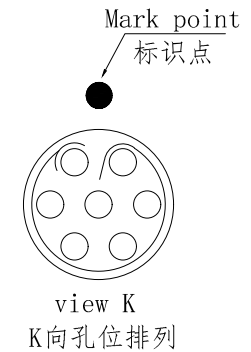
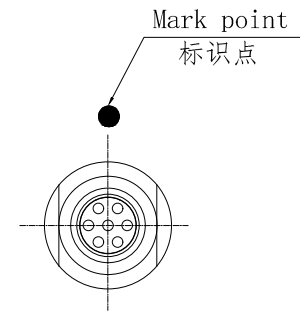
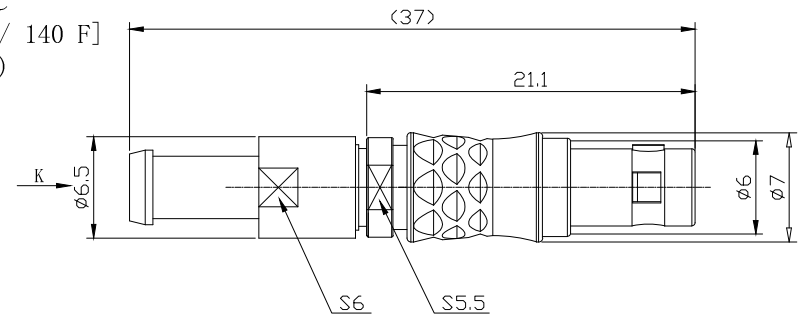
Insert Configuration/针芯配置: 00B.307 7Low Voltage
 Pin Size/接触件直径: $\phi 0.3\text{mm}$
 Contact resistance接触电阻: $\leq 25\text{m}\Omega$
 Insulation resistance/绝缘电阻: 5000M Ω (测试电压500V(DC))
 Withstand voltage/耐电压: 300V(AC)
 Rated working current额定工作电流: 0.5A


Other Specification/其它规格:

Contact PIN/接触体: Gold plated Tin bronze/锡青铜镀金
 Housing Material/外壳材质: Chrome plated brass/铜镀珍珠铬
 Other metal spare parts/其余金属件: Nickel plated brass/铜镀镍
 Insulator material/绝缘材料: PPS

IP Rating/防护等级: IP50

*ALL MATERIALS ARE RoHS COMPLIANT/所有材料均符合RoHS要求.



DRAWN BY: 绘图: PDO3 2024. 05. 28		 美易连电子科技(深圳)有限公司 Meiyilian electronic technology(shenzhen)Co.,Ltd.	名称 PART NAME		00B-TG直式插头(带护套式尾帽) 00B-TG Straight plug (with jacketed tail cap)	
CHECKED BY: 审核: Z01 2024. 05. 28			比例 SCALE: 1: 1		型号 PART NAME	TGG. 00B. 307. CLAD35Z
APPROVED BY: 核准: PDO5 2024. 05. 28			SIZE: A4			
GENERAL TOLERANCE (UNLESS SPECIFIED)		FIRST ANGLE PROJECTION		SHEET: 1 OF 1		
$\leq 10 \pm 0.1$ $< 10 \sim \leq 20 \pm 0.15$ $< 20 \sim \leq 50 \pm 0.3$ Angle $\pm 1^\circ$		REV/版本	A1			