

1) Product main performance/产品主要性能指标:

Operating Temperature/工作温度:  $-55^{\circ}\text{C} \sim 200^{\circ}\text{C}$   
 Humidity(max)/最大潮湿:  $\leq 95\%$  [at 60 deg C / 140 F]  
 Shielding /屏蔽性能: 75dB(10MHz) 40dB(1GHz)  
 Salt Spray Corrosion/盐雾: 96hr  
 P op (max)/最大环境压力: 60 bar (870 psi)

Mechanical data/机械特性:

Vibration/振动: 15g[10Hz~2000Hz]  
 Shock Resistance/冲击: 100g[6ms]  
 Endurance (Shell)/机械寿命: 5000次  
 Cable/配接电缆:  $\phi 5.1\text{mm} - \phi 6.0\text{mm}$

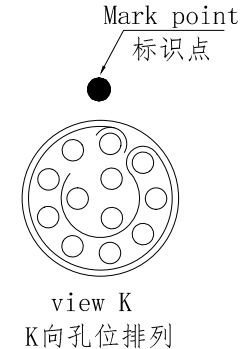
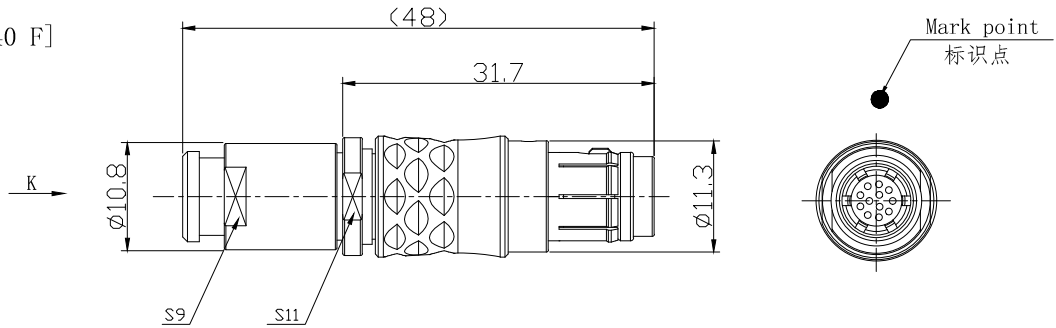
2. 电气性能


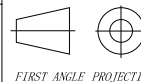
Insert Configuration/针芯配置: 1T. 312 12Low Voltage  
 Pin Size/接触件直径:  $\phi 0.5\text{mm}$   
 Contact resistance接触电阻:  $\leq 15\text{m}\Omega$   
 Insulation resistance/绝缘电阻:  $5000\text{M}\Omega$  (测试电压500V(DC))  
 Withstand voltage/耐电压: 750V(AC)  
 Rated working current额定工作电流: 2.0A

Other Specification/其它规格:

Contact PIN/接触体: Gold plated Tin bronze/锡青铜镀金  
 Housing Material/外壳材质: Chrome plated brass/铜镀珍珠铬  
 Other metal spare parts/其余金属件: Nickel plated brass/铜镀镍  
 Insulator material/绝缘材料: PPS  
 IP Rating/防护等级: IP68(插合状态)

\*ALL MATERIALS ARE RoHS COMPLIANT/所有材料均符合RoHS要求.



|   |  |   |                   |               |
|---|--|---|-------------------|---------------|
| DRAWN BY:<br>绘图: Z01 2024. 6. 20        |  | <br>美易连电子科技(深圳)有限公司<br>Meiyilian electronic technology (shenzhen) Co. Ltd. |                   |               |
| CHECKED BY:<br>审核: Z01 2024. 6. 20      |  |   | 单位<br>UNIT: mm    | 名称            |
| APPROVED BY:<br>核准: PDO5 2024. 6. 20    |  |   | 比例<br>SCALE: 1: 1 | PART NAME     |
| GENERAL TOLERANCE<br>(UNLESS SPECIFIED) |  | <br>FIRST ANGLE PROJECTION   | SIZE: A4          | 型号            |
| $\leq 10 \pm 0.1$                       |  | REVI/版本   | A1                | SHEET: 1 OF 1 |
| $< 10^{\circ} \leq 20 \pm 0.15$         |  | PART NAME   |                   |               |
| $< 20^{\circ} \leq 50 \pm 0.3$          |  | PART NAME   |                   |               |
| Angle $\pm 1^{\circ}$                   |  | PART NAME   |                   |               |
|   |  | 1T-TG直式插头<br>1T-TG Straight plug  |                   |               |
|   |  | TGG. 1T. 312. CLAC62Z   |                   |               |