

1) Product main performance/产品主要性能指标:

Operating Temperature/工作温度:  $-55^{\circ}\text{C} \sim 200^{\circ}\text{C}$   
 Humidity(max)/最大潮湿:  $\leq 95\%$  [at 60 deg C / 140 F]  
 Shielding /屏蔽性能: 75dB(10MHz) 40dB(1GHz)  
 Salt Spray Corrosion/盐雾: 96hr  
 P op (max)/最大环境压力: 60 bar (870 psi)

Mechanical data/机械特性:

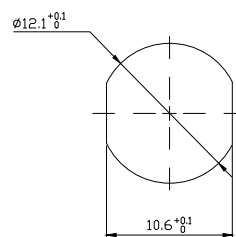
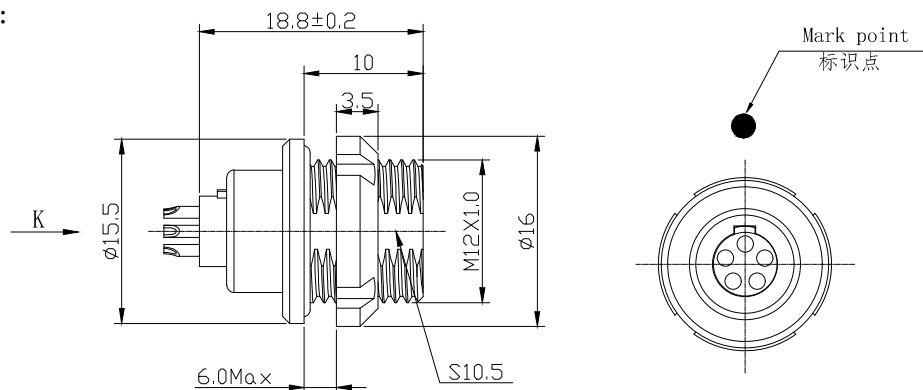
Vibration/振动: 15g[10Hz~2000Hz]  
 Shock Resistance/冲击: 100g[6ms]  
 Endurance (Shell)/机械寿命: 5000次

2. 电气性能

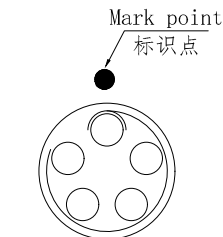
Insert Configuration/针芯配置: 1T.305 5Low Voltage  
 Pin Size/接触件直径:  $\phi 0.9\text{mm}$   
 Contact resistance接触电阻:  $\leq 9\text{m}\Omega$   
 Insulation resistance/绝缘电阻: 5000M $\Omega$  (测试电压500V(DC))  
 Withstand voltage/耐电压: 875V(AC)  
 Rated working current额定工作电流: 9.0A

Other Specification/其它规格:

Contact PIN/接触体: Gold plated Tin bronze/锡青铜镀金  
 Housing Material/外壳材质: Chrome plated brass/铜镀珍珠铬  
 Other metal spare parts/其余金属件: Nickel plated brass/铜镀镍  
 Glue filling type/灌胶类型: White silica gel/白色硅胶  
 Insulator material/绝缘材料: PPS  
 IP Rating/防护等级: IP68(插入状态)  
 \*ALL MATERIALS ARE RoHS COMPLIANT/所有材料均符合RoHS要求.



Panel cut-outs  
建议安装开孔尺寸



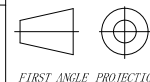
view K  
K向孔位排列

DRAWN BY: 绘图: Z01 2024. 6. 20  
 CHECKED BY: 审核: Z01 2024. 6. 20  
 APPROVED BY: 核准: PD05 2024. 6. 20



美易连电子科技(深圳)有限公司  
 Meiyilian electronic technology(shenzhen)Co. Ltd.

GENERAL TOLERANCE  
 (UNLESS SPECIFIED)  
 $\leq 10 \pm 0.1$   
 $< 10^{\circ} \leq 20 \pm 0.15$   
 $< 20^{\circ} \leq 50 \pm 0.3$   
 Angle  $\pm 1^{\circ}$



FIRST ANGLE PROJECTION

REV/版本 A1

单位  
 UNIT: mm  
 比例  
 SCALE: 1: 1  
 型号  
 PART NAME

名称  
 PART NAME  
 型号  
 PART NAME

IT-ZE固定式插座  
 IT-ZE Fixed socket  
 ZEG. 1T. 305. CLL