

### 1) Product main performance/产品主要性能指标:

Operating Temperature/工作温度 : -55°C~200°C  
 Humidity(max)/最大潮湿 : <=95% [at 60 deg C / 140 F]  
 Shielding /屏蔽性能 : 75dB(10MHz) 40dB(1GHz)  
 Salt Spray Corrosion/盐雾 : 96hr  
 P op (max)/最大环境压力 : 60 bar (870 psi)

Mechanical data/机械特性:  
 Vibration/振动 : 15g[10Hz~2000Hz]  
 Shock Resistance/冲击 : 100g[6ms]  
 Endurance (Shell)/机械寿命 : 5000次  
 Cable/配接电缆:  $\phi$ 4.4mm- $\phi$ 5.3mm

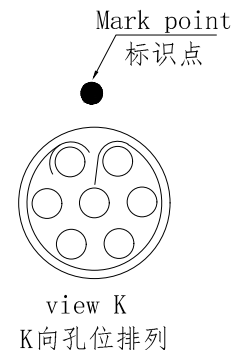
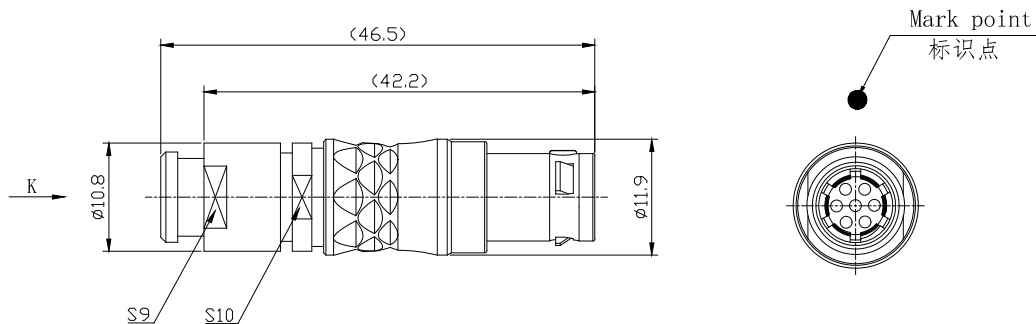
### 2. 电气性能

Insert Configuration/针芯配置: 1B.307 7Low Voltage  
 Pin Size/接触件直径:  $\phi$ 0.7mm  
 Contact resistance接触电阻:  $\leq$ 12.5m $\Omega$   
 Insulation resistance/绝缘电阻: 5000M $\Omega$  (测试电压500V(DC))  
 Withstand voltage/耐电压: 875V(AC)  
 Rated working current额定工作电流: 7.0A

### Other Specification/其它规格:

Contact PIN/接触体: Gold plated Tin bronze/锡青铜镀金  
 Housing Material/外壳材质: Chrome plated brass/铜镀珍珠铬  
 Other metal spare parts/其余金属件: Nickel plated brass/铜镀镍  
 Insulator material/绝缘材料: PPS  
 IP Rating/防护等级: IP50


\*ALL MATERIALS ARE RoHS COMPLIANT/所有材料均符合RoHS要求.



view K  
K向孔位排列

REV/版本	DESCRIPTION/变更内容	DATE/日期	DRAWN BY/绘图

DRAWN BY: 绘图: PD03 2024.05.28	
CHECKED BY: 审核: Z01 2024.05.28	
APPROVED BY: 核准: PD05 2024.05.28	
GENERAL TOLERANCE (UNLESS SPECIFIED)	
$\leq 10 \pm 0.1$	
$< 10 \sim \leq 20 \pm 0.15$	
$< 20 \sim \leq 50 \pm 0.3$	
Angle $\pm 1^\circ$	

 美易连电子科技(深圳)有限公司 Meiyilian electronic technology(shenzhen)Co.,Ltd.		单位 UNT: mm	名称 PART NAME	1B-TG直式插头(带护套式尾帽) 1B-TG Straight plug (with jacketed tail cap)
		比例 SCALE: 1: 1		
FIRST ANGLE PROJECTION		SIZE: A4	型号 PART NAME	TGG. 1B. 307. CLAD58Z
REV/版本	A1	SHEET: 1 OF 1		